



**Zhejiang Dongjie cooling tower Co., Ltd.**

Lianghu industrial zone, Shangyu, Zhejiang Province, China

TEL: +86-0575-82433555

FAX: +86-0575-82434444

URL: [www.djcoolingtower.com](http://www.djcoolingtower.com)

Mail: [dj@djcoolingtower.com](mailto:dj@djcoolingtower.com)



## **DMNC Counter Flow, Induced Draft, Closed Cooling Tower**

### Design Information





## I. Outline of models

Hot、Cold Water Temperature (37°C-32°C)

Model	m <sup>3</sup> /h Water Flow	KW Coolin g capacit y	(mm) Appearance foundation					mm Fan diamet er	kw Motor power	kPa Head Loss in pipe	kw Power of spray pump	kg Product weight	kg Operati on weight	dB(A) Dm Noise
			L	W	H	H1	H2							
DMNC-36 /12-25	32	186	2200	2500	4050	1475	1380	1500	3.0	27.6	2.2	2080	3980	65
DMNC-42 /12-28	42	244	2500	2800	4400	1710	1420	2000	4.0	37.1	2.2	2550	4750	66
DMNC-48 /12-32	55.2	321	2800	3200	4750	1910	1470	2200	5.5	52.9	3.0	3100	5750	66
DMNC-54 /12-36	70.2	408	3200	3600	4950	1910	1520	2400	5.5	72.3	3.0	3770	6970	67
DMNC-60 /12-40	87	506	3500	4000	5250	2120	1560	2800	7.5	95.6	4.0	4350	8100	67.5
DMNC-76 /10-44	101.4	589	4400	4400	5250	2120	1500	3400	7.5	74.0	5.5	5160	9830	68

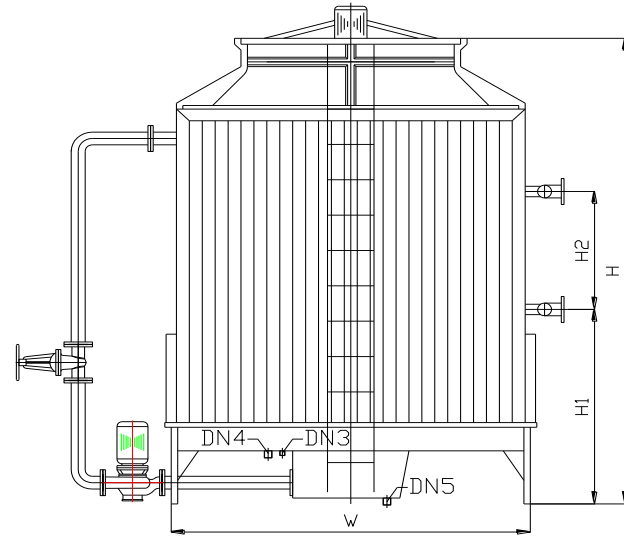
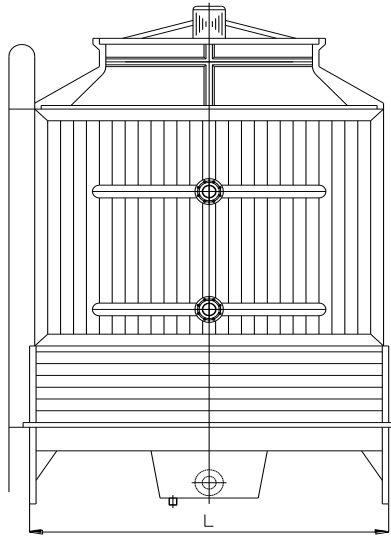


## II. Drawing parameter

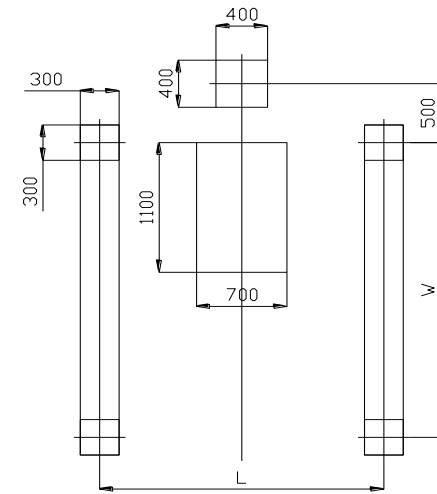
Model	(mm)Foundation		Water inlet DN1	Water outlet DN2	Auto Make-up DN3	Overflow DN4	Drain DN5
	L	W					
DMNC-36 /12-25	2200	2500	100	100	25	50	50
DMNC-42 /12-28	2500	2800	100	100	25	50	50
DMNC-48 /12-32	2800	3200	2×100	2×100	25	50	50
DMNC-54 /12-36	3200	3600	2×100	2×100	25	50	50
DMNC-60 /12-40	3500	4000	2×100	2×100	25	50	50
DMNC-76 /10-44	4400	4400	2×125	2×125	25	50	50

**Design condition of cooling tower: Atmo-pressure is 99400Pa,Air T.is 31.5°C,W.T.is 28°C.**

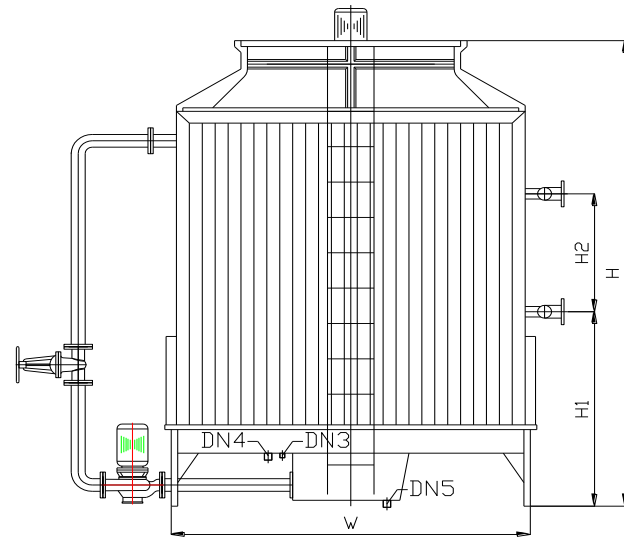
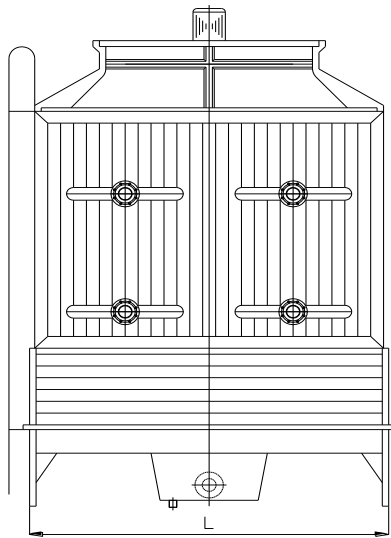
### III. Drawing



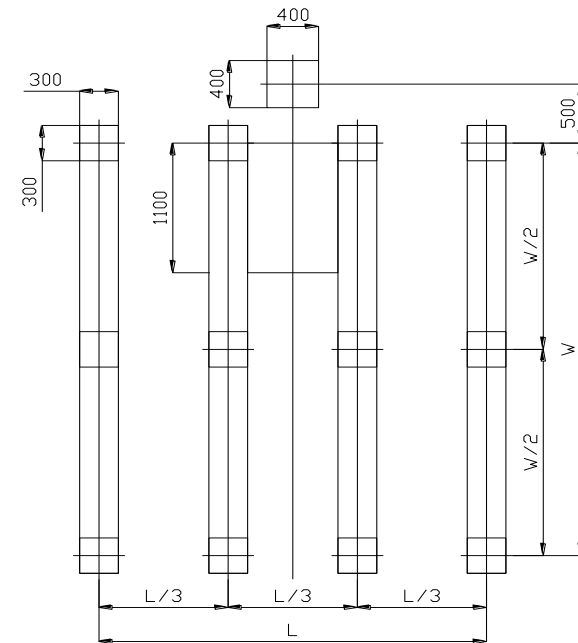
outlet  
DN2  
inlet  
DN1



DMNC-36/12-25 42/12-28



outlet  
DN2  
inlet  
DN1



DMNC-48/12-32 54/12-36 60/12-40 76/10-44