

Model Description:

①		②	③	④	⑤	⑥
YHD	-	0606	E	X	1	Blank

- ①: Product line represents Counter-flow Cooling Tower
- ②: Product Module represents the models in a module
- ③: Motor code represents equipped motor model
- ④: Fills' code represent matched fill model, X denotes the fill height 915mm, Y denotes the fill height 1220mm, Z denotes the fill height 1525mm
- ⑤: Height code: 1 represents the height of the unit when there is only single cell or two cells 's assembly, 3 represents the height of the unit when three cells or more cells' assembly in need
- ⑥: Suffix code: The default with no suffix represents the casing, cold water basin, hot water basin, fan cylinder etc are in Reinforced Fiber Plastic; the suffix with / SZ represents the casing, cold water basin, and hot water basin etc are in the Z700, fan cylinder is in galvanized steel; the suffix with / SS represents the casing, cold water basin, hot water basin, fan cylinder etc are in SS304.

Example:

YHD-0606EX1

YHD: counter-flow cooling tower

0606: in 0606 module,

E: motor power 2.2kw,

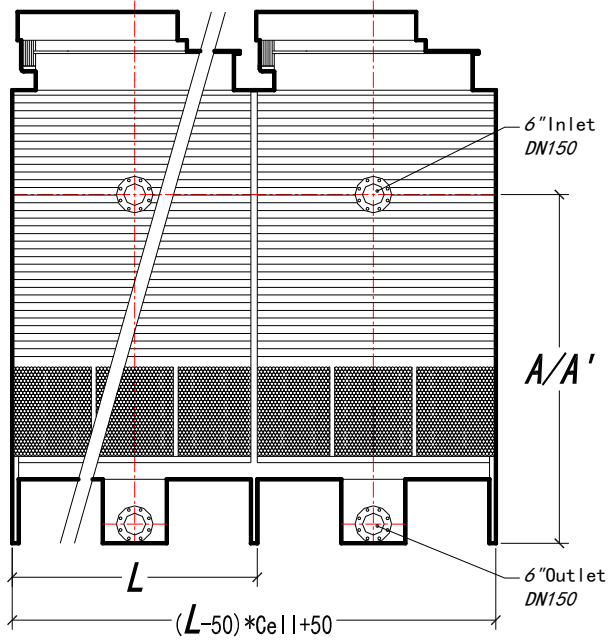
X: X type fill,

1: the height is the one when single cell or 2cell assembly' s option,

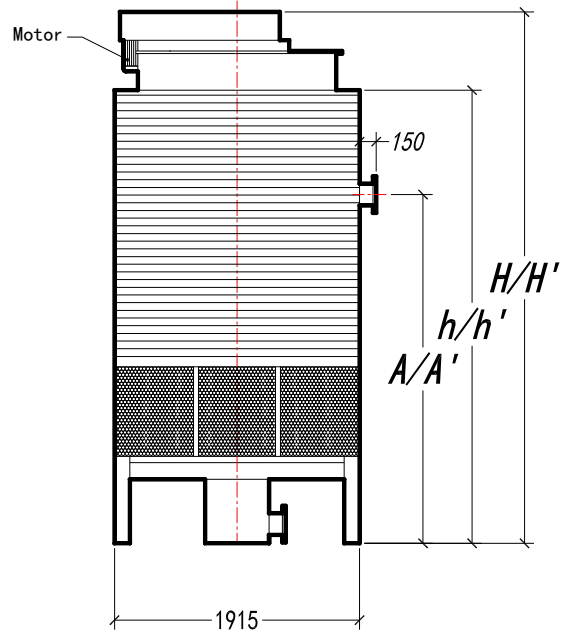
Blank: the casing, cold water basin, fan cylinder etc are in Reinforced Fiber Plastic.

YHD Counter-flow Cooling Tower-Technical Data: Outline Data

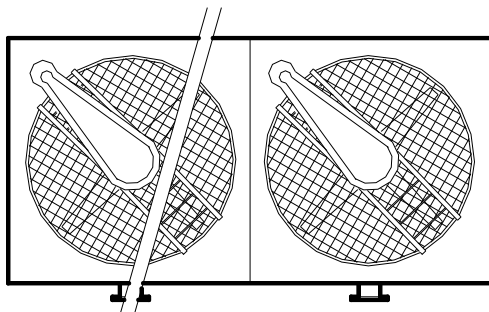
YHD-0606 0806



Front Vertical View



Left Vertical View



Top Plan View

YHD Counter-flow Cooling Tower-Technical Data: Outline Data

Below is the data for single cell

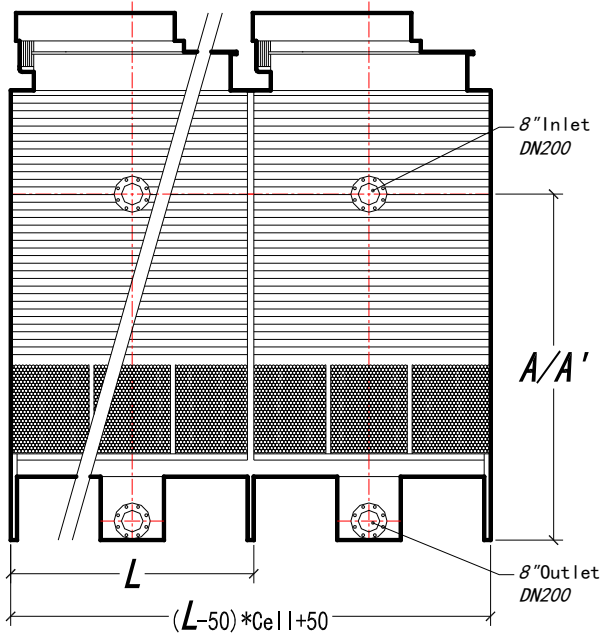
Model	Nominal Flow Rate 28°C	Nominal Flow Rate 27°C	L	Dimension * ①			Dimension * ②			Motor KW	Fan Φmm	Weight * ③		Weight * ④	
				h	H	A	h'	H'	A'			Dry Weight	Wet Weight	Dry Weight	Wet Weight
YHD-0606EX	62	71	1915	3540	4110	2724	3740	4310	2924	2.2	1500	810	1810	860	1860
YHD-0606SX	68	78								3		830	1830	880	1880
YHD-0606MX	75	86								4		850	1850	900	1900
YHD-0606LX	83	95								5.5		870	1870	920	1920
YHD-0606EY	67	77								2.2		860	1860	910	1910
YHD-0606SY	73	84								3		880	1880	930	1930
YHD-0606MY	81	93		4	900	1900	950	1950							
YHD-0606LY	90	103		5.5	920	1920	970	1970							
YHD-0606SZ	75	86		3	920	1920	970	1970							
YHD-0606MZ	83	95		4	940	1940	990	1990							
YHD-0606LZ	92	106		5.5	960	1960	1010	2010							
YHD-0606PZ	102	117		7.5	980	1980	1030	2030							
YHD-0806EX	75	86	2525	3540	4110	2724	3740	4310	2924	2.2	1500	910	2210	960	2260
YHD-0806SX	83	95								3		940	2240	990	2290
YHD-0806MX	92	106								4		970	2270	1020	2320
YHD-0806LX	102	117								5.5		1000	2300	1050	2350
YHD-0806PX	113	130								7.5		1030	2330	1080	2380
YHD-0806EY	81	93								2.2		980	2280	1030	2330
YHD-0806SY	90	103		3	1010	2310	1060	2360							
YHD-0806MY	100	115		4	1040	2340	1090	2390							
YHD-0806LY	111	127		5.5	1070	2370	1120	2420							
YHD-0806PY	122	140		7.5	1100	2400	1150	2450							
YHD-0806EZ	84	96		2.2	1070	2370	1120	2420							
YHD-0806SZ	93	107		3	1100	2400	1150	2450							
YHD-0806MZ	103	118		4	1130	2430	1180	2480							
YHD-0806LZ	115	132		5.5	1160	2460	1210	2510							
YHD-0806PZ	126	145		7.5	1190	2490	1240	2540							

★Notes:

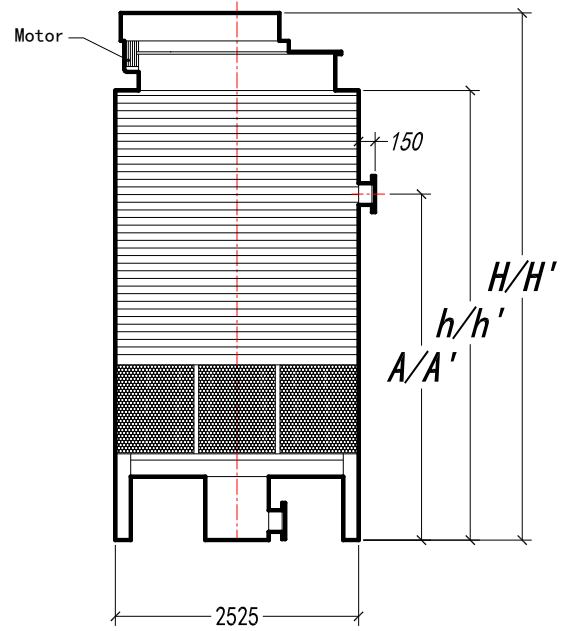
- Nominal flow rate 28° C is the maximum flow value on the condition that inlet temperature 37° C, outlet temperature 32° C at wet bulb temperature 28° C, unit: m3/hr;
- Nominal flow rate 28° C is the maximum flow value on the condition that inlet temperature 37° C, outlet temperature 32° C at wet bulb temperature 28° C, unit: m3/h;
- Size *① is the corresponding size of single cell or 2cells assembly(when combination code is 1), unit: mm;
- Size *② is the corresponding size of 3cells or more assembly(when combination code is 3), unit: mm;
- Weight *① is the corresponding weight of single cell or 2cells assembly(when combination code is 1), unit: Kg;
- Weight *② is the corresponding weight of 3cells or more assembly(when combination code is 3), unit: Kg.

YHD Counter-flow Cooling Tower-Technical Data: Outline Data

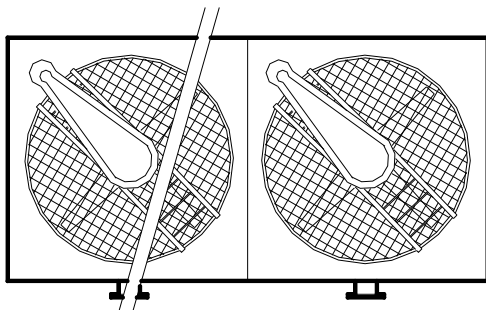
YHD-0808 1008



Front Vertical View



Left Vertical View



Top Plan View

YHD Counter-flow Cooling Tower-Technical Data: Outline Data

Below is the data for single cell:

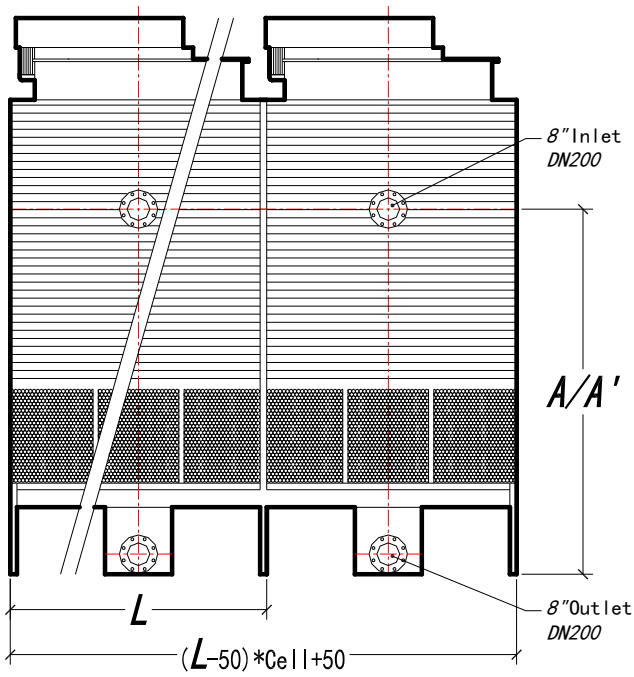
Model	Nominal Flow	Nominal Flow Rate	L	Dimension * ①			Dimension * ②			Motor KW	Fan Φmm	Weight * ③		Weight * ④								
				h	H	A	h'	H'	A'			Dry Weight	Wet Weight	Dry Weight	Wet Weight							
YHD-0808MX	110	126	2525	3640	4260	2850	3940	4560	3150	4	1800	1300	3100	1450	3250							
YHD-0808LX	122	140								5.5		1350	3150	1500	3300							
YHD-0808PX	135	155								7.5		1400	3200	1550	3350							
YHD-0808QX	153	176								11		1450	3250	1600	3400							
YHD-0808MY	120	138								4		3940	4560	3155	4240	4860	3455	4	1400	3200	1550	3350
YHD-0808LY	133	153								5.5								1450	3250	1600	3400	
YHD-0808PY	147	169		7.5	1500	3300	1650	3450														
YHD-0808QY	166	190		11	1550	3350	1700	3500														
YHD-0808MZ	125	143		4	4240	4860	3460	4540	5160	3760								4	1550	3350	1700	3500
YHD-0808LZ	138	158		5.5														1600	3400	1750	3550	
YHD-0808PZ	153	176		7.5								1650	3450	1800	3600							
YHD-0808QZ	172	197		11								1700	3500	1850	3650							
YHD-1008MX	130	149	3135	3640							4260	2850	3940	4560	3150	4	1800	1600	3800	1800	4000	
YHD-1008LX	145	166														5.5		1680	3880	1880	4080	
YHD-1008PX	160	184			7.5	1760	3960	1960	4160													
YHD-1008QX	181	208			11	1840	4040	2040	4240													
YHD-1008MY	142	163			4	3940	4560	3155	4240	4860						3455		4	1720	3920	1920	4120
YHD-1008LY	158	181			5.5													1800	4000	2000	4200	
YHD-1008PY	175	201		7.5	1880						4080	2080	4280									
YHD-1008QY	197	226		11	1960						4160	2160	4360									
YHD-1008MZ	148	170		4	4240						4860	3460	4540	5160	3760			4	1870	4070	2070	4270
YHD-1008LZ	165	189		5.5														1950	4150	2150	4350	
YHD-1008PZ	182	209		7.5		2030	4230	2230	4430													
YHD-1008QZ	205	235		11		2110	4310	2310	4510													

★Notes:

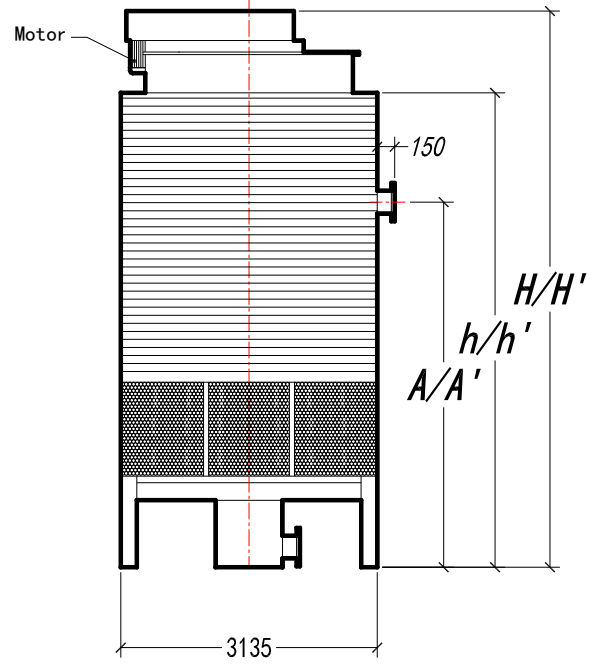
- Nominal flow rate 28° C is the maximum flow value on the condition that inlet temperature 37° C, outlet temperature 32° C at wet bulb temperature 28° C, unit: m³/hr;
- Nominal flow rate 28° C is the maximum flow value on the condition that inlet temperature 37° C, outlet temperature 32° C at wet bulb temperature 28° C, unit: m³/h;
- Size *① is the corresponding size of single cell or 2cells assembly(when combination code is 1), unit: mm;
- Size *② is the corresponding size of 3cells or more assembly(when combination code is 3), unit: mm;
- Weight *① is the corresponding weight of single cell or 2cells assembly(when combination code is 1), unit: Kg;
- Weight *② is the corresponding weight of 3cells or more assembly(when combination code is 3), unit: Kg.

YHD Counter-flow Cooling Tower-Technical Data: Outline Data

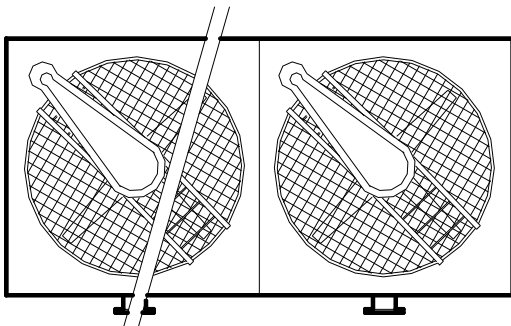
YHD-1010 1210



Front Vertical View



Left Vertical View



Top Plan View

YHD Counter-flow Cooling Tower-Technical Data: Outline Data

Below is the data for single cell:

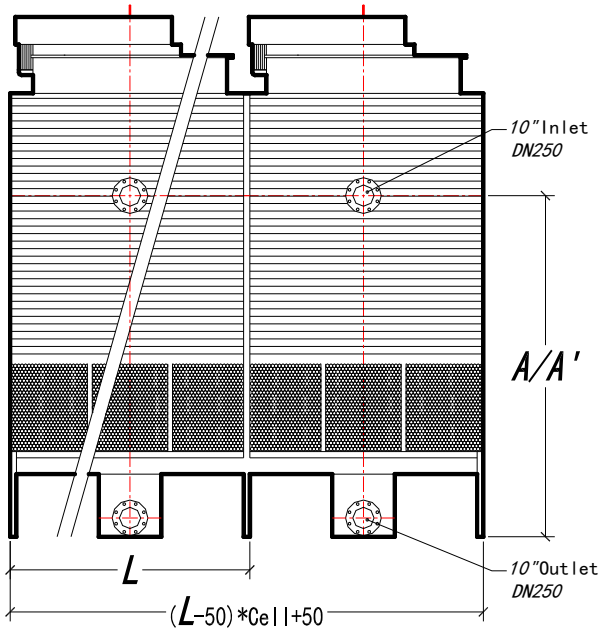
Model	Nominal	Nominal	L	Dimension * ①			Dimension * ②			Motor KW	Fan Φmm	Weight * ③		Weight * ④	
	Flow	Flow		h	H	A	h'	H'	A'			Dry	Wet	Dry	Wet
	Rate	Rate										Weight	Weight	Weight	Weight
YHD-1010LX	160	184	3135	3840	4460	2950	4140	4760	3250	5.5	2200	2100	4900	2400	5200
YHD-1010PX	177	203								7.5		2250	5050	2550	5350
YHD-1010QX	200	229								11		2400	5200	2700	5500
YHD-1010RX	221	254								15		2550	5350	2850	5650
YHD-1010LY	175	201		4140	4760	3255	4440	5060	3555	5.5		2400	5200	2700	5500
YHD-1010PY	194	223								7.5		2550	5350	2850	5650
YHD-1010QY	219	251								11		2700	5500	3000	5800
YHD-1010RY	242	278								15		2850	5650	3150	5950
YHD-1010LZ	182	209		4440	5060	3560	4740	5360	3860	5.5		2700	5500	3000	5800
YHD-1010PZ	202	232								7.5		2850	5650	3150	5950
YHD-1010QZ	228	262								11		3000	5800	3300	6100
YHD-1010RZ	252	289								15		3150	5950	3450	6250
YHD-1210LX	180	207	3745	3840	4460	2950	4140	4760	3250	5.5	2500	2600	5700	2900	6000
YHD-1210PX	200	229								7.5		2750	5850	3050	6150
YHD-1210QX	226	259								11		2900	6000	3200	6300
YHD-1210RX	250	287								15		3050	6150	3350	6450
YHD-1210LY	197	226		4140	4760	3255	4440	5060	3555	5.5		2950	6050	3250	6350
YHD-1210PY	219	251								7.5		3100	6200	3400	6500
YHD-1210QY	247	283								11		3250	6350	3550	6650
YHD-1210RY	273	313								15		3400	6500	3700	6800
YHD-1210LZ	205	235		4440	5060	3560	4740	5360	3860	5.5		3300	6400	3600	6700
YHD-1210PZ	228	262								7.5		3450	6550	3750	6850
YHD-1210QZ	257	295								11		3600	6700	3900	7000
YHD-1210RZ	284	326								15		3750	6850	4050	7150

★Notes:

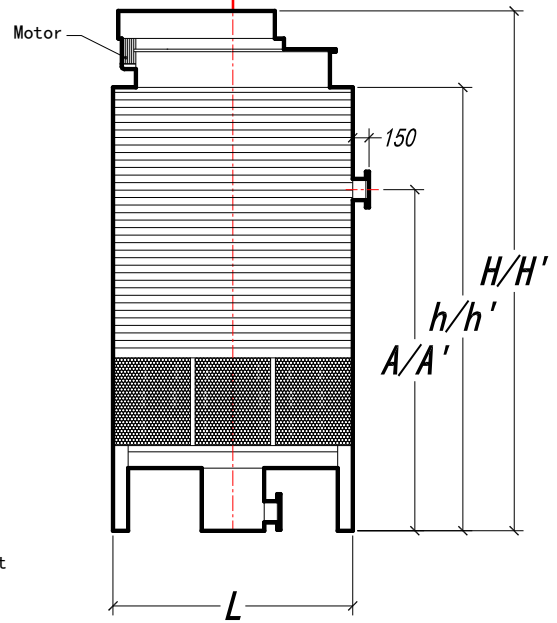
1. Nominal flow rate 28° C is the maximum flow value on the condition that inlet temperature 37° C, outlet temperature 32° C at wet bulb temperature 28° C, unit: m3/hr;
2. Nominal flow rate 28° C is the maximum flow value on the condition that inlet temperature 37° C, outlet temperature 32° C at wet bulb temperature 28° C, unit: m3/h;
3. Size *① is the corresponding size of single cell or 2cells assembly(when combination code is 1), unit: mm;
4. Size *② is the corresponding size of 3cells or more assembly(when combination code is 3), unit: mm;
5. Weight *① is the corresponding weight of single cell or 2cells assembly(when combination code is 1), unit: Kg;
6. Weight *② is the corresponding weight of 3cells or more assembly(when combination code is 3), unit: Kg.

YHD Counter-flow Cooling Tower-Technical Data: Outline Data

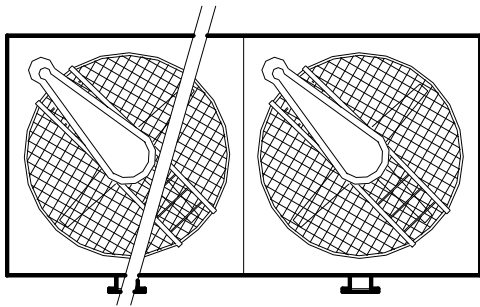
YHD-1212 1313



Front Vertical View



Left Vertical View



Top Plan View

YHD Counter-flow Cooling Tower-Technical Data: Outline Data

Below is the data for single cell:

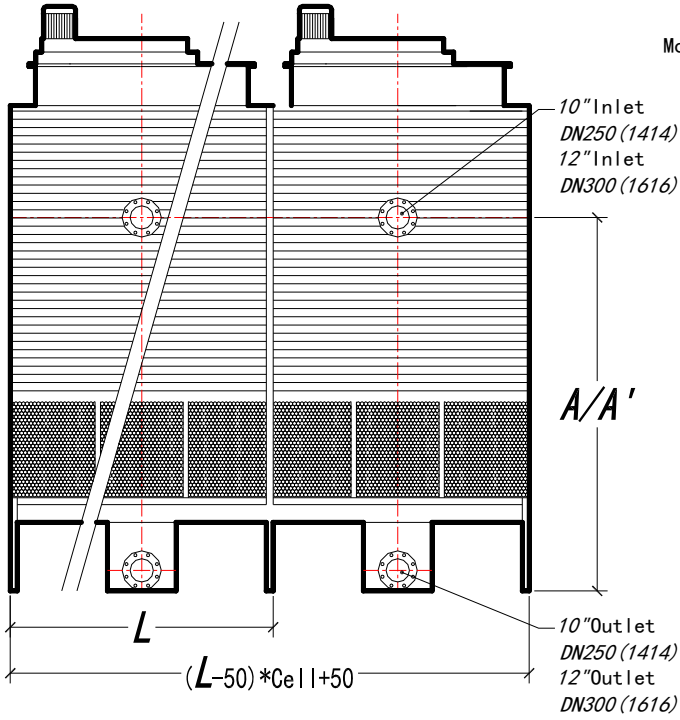
Model	Nominal Flow Rate	Nominal Flow Rate	L	Dimension * ①			Dimension * ②			Motor KW	Fan Φmm	Weight * ③		Weight * ④								
				h	H	A	h'	H'	A'			Dry Weight	Wet Weight	Dry Weight	Wet Weight							
YHD-1212LX	200	229	3745	3940	4560	3077	4240	4860	3377	5.5	2500	3010	7010	3310	7310							
YHD-1212PX	221	254								7.5		3190	7190	3490	7490							
YHD-1212QX	250	287								11		3370	7370	3670	7670							
YHD-1212RX	277	318								15		3550	7550	3850	7850							
YHD-1212VX	296	340								18.5		3730	7730	4030	8030							
YHD-1212LY	219	251								5.5		4240	4860	3382	4540	5160	3682	7.5	3390	7390	3690	7690
YHD-1212PY	242	278		11	3570	7570	3870	7870														
YHD-1212QY	274	314		15	3750	7750	4050	8050														
YHD-1212RY	303	348		18.5	3930	7930	4230	8230														
YHD-1212VY	324	372		5.5	4540	5160	3687	4840	5460	3987								7.5	4110	8110	4410	8410
YHD-1212LZ	228	262		11														3770	7770	4070	8070	
YHD-1212PZ	252	289		15								3950	7950	4250	8250							
YHD-1212QZ	285	327		18.5								4130	8130	4430	8430							
YHD-1212RZ	315	361		5.5								4050	4860	3382	4740	5360	3882	7.5	4310	8310	4610	8610
YHD-1212VZ	337	387	11	4490							8490							4790	8790			
YHD-1313PX	240	275	15	3940	4560	3077	4440	5060	3577	22	3450							7950	3750	8250		
YHD-1313QX	271	311	18.5							3640	8140							3940	8440			
YHD-1313RX	300	344	22							3830	8330							4130	8630			
YHD-1313VX	320	367	7.5							4020	8520							4320	8820			
YHD-1313KX	338	388	11							4410	8910	4710	9210									
YHD-1313PY	262	301	15							4240	4860	3382	4740	5360	3882	18.5	3840	8340	4140	8640		
YHD-1313QY	296	340	22	4030	8530	4330	8830															
YHD-1313RY	327	375	5.5	4220	8720	4520	9020															
YHD-1313VY	350	402	7.5	4410	8910	4710	9210															
YHD-1313KY	370	425	11	4800	9300	5100	9600															
YHD-1313PZ	273	313	15	4540	5160	3687	5040	5660	4187							18.5	4230	8730	4530	9030		
YHD-1313QZ	308	353	22							4420	8920	4720	9220									
YHD-1313RZ	341	391	5.5							4610	9110	4910	9410									
YHD-1313VZ	365	419	7.5							4800	9300	5100	9600									
YHD-1313KZ	385	442	11							5190	9690	5490	9990									

★Notes:

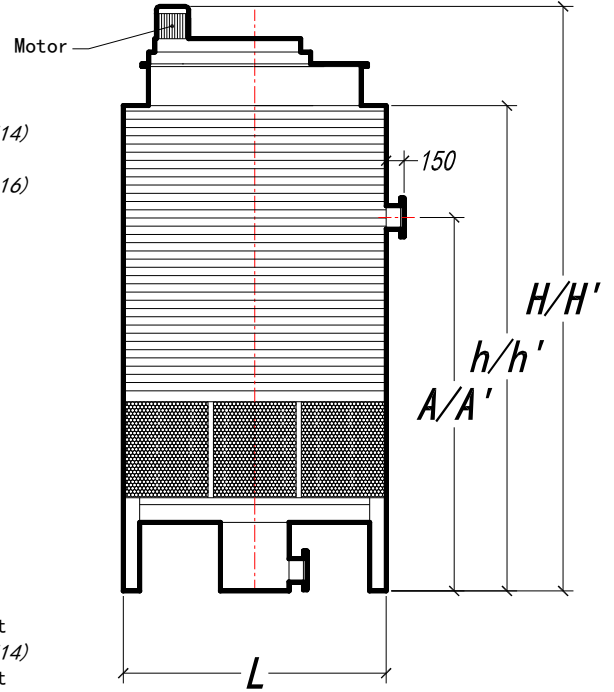
- Nominal flow rate 28° C is the maximum flow value on the condition that inlet temperature 37° C, outlet temperature 32° C at wet bulb temperature 28° C, unit: m³/hr;
- Nominal flow rate 28° C is the maximum flow value on the condition that inlet temperature 37° C, outlet temperature 32° C at wet bulb temperature 28° C, unit: m³/h;
- Size *① is the corresponding size of single cell or 2cells assembly(when combination code is 1), unit: mm;
- Size *② is the corresponding size of 3cells or more assembly(when combination code is 3), unit: mm;
- Weight *① is the corresponding weight of single cell or 2cells assembly(when combination code is 1), unit: Kg;
- Weight *② is the corresponding weight of 3cells or more assembly(when combination code is 3), unit: Kg.

YHD Counter-flow Cooling Tower-Technical Data: Outline Data

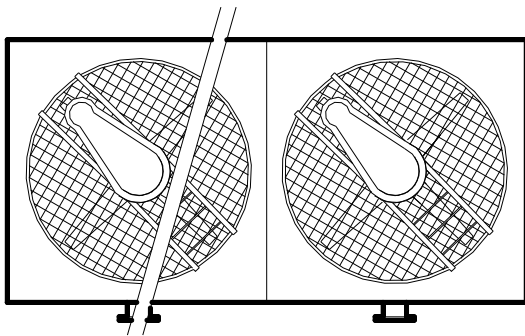
YHD-1414 1616



Front Vertical View



Left Vertical View



Top Plan View

YHD Counter-flow Cooling Tower-Technical Data: Outline Data

Below is the data for single cell:

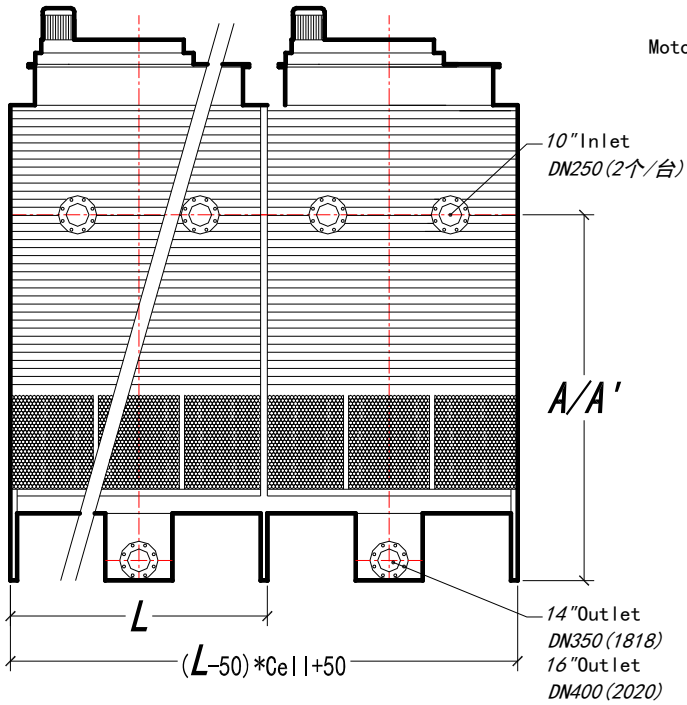
Model	Nominal	Nominal	L	Dimension * ①			Dimension * ②			Motor KW	Fan Φmm	Weight * ③		Weight * ④		
	Flow	Flow		h	H	A	h'	H'	A'			Dry	Wet	Dry	Wet	
	Rate	Rate										Weight	Weight	Weight	Weight	
YHD-1414PX	285	<i>327</i>	4355	4240	5570	3303	4640	5970	3703	7.5	2950	4210	9310	4510	9610	
YHD-1414QX	323	<i>371</i>								11		4420	9520	4720	9820	
YHD-1414RX	356	<i>408</i>								15		4630	9730	4930	10030	
YHD-1414VX	382	<i>438</i>								18.5		4840	9940	5140	10240	
YHD-1414KX	404	<i>464</i>								22		5050	10150	5350	10450	
YHD-1414PY	311	<i>357</i>								7.5		4540	5870	3608	4940	6270
YHD-1414QY	353	<i>405</i>		11	4820	9920	5120	10220								
YHD-1414RY	389	<i>446</i>		15	5030	10130	5330	10430								
YHD-1414VY	418	<i>480</i>		18.5	5240	10340	5540	10640								
YHD-1414KY	442	<i>507</i>		22	5450	10550	5750	10850								
YHD-1414PZ	325	<i>373</i>		7.5	4840	6170	3913	5240	6570	4313						
YHD-1414QZ	370	<i>425</i>		11								5220	10320	5520	10620	
YHD-1414RZ	406	<i>466</i>		15								5430	10530	5730	10830	
YHD-1414VZ	435	<i>499</i>		18.5								5640	10740	5940	11040	
YHD-1414KZ	460	<i>528</i>	22	5850							10950	6150	11250			
YHD-1616QX	380	<i>436</i>	4965	4340							5670	3403	4740	6070	3803	11
YHD-1616RX	420	<i>482</i>			15	5210	11410	5510	11710							
YHD-1616VX	450	<i>516</i>			18.5	5470	11670	5770	11970							
YHD-1616KX	475	<i>545</i>			22	5730	11930	6030	12230							
YHD-1616JX	525	<i>602</i>			30	5990	12190	6290	12490							
YHD-1616QY	415	<i>476</i>			11	4640	5970	3708	5040	6370						4108
YHD-1616RY	460	<i>528</i>		15	5620						11820	5920	12120			
YHD-1616VY	493	<i>566</i>		18.5	5880						12080	6180	12380			
YHD-1616KY	520	<i>597</i>		22	6140						12340	6440	12640			
YHD-1616JY	575	<i>660</i>		30	6400						12600	6700	12900			
YHD-1616QZ	433	<i>497</i>		11	4940						6270	4013	5340	6670	4413	
YHD-1616RZ	480	<i>551</i>		15		6030	12230	6330	12530							
YHD-1616VZ	514	<i>590</i>		18.5		6290	12490	6590	12790							
YHD-1616KZ	542	<i>622</i>		22		6550	12750	6850	13050							
YHD-1616JZ	600	<i>688</i>	30	6810		13010	7110	13310								

★Notes:

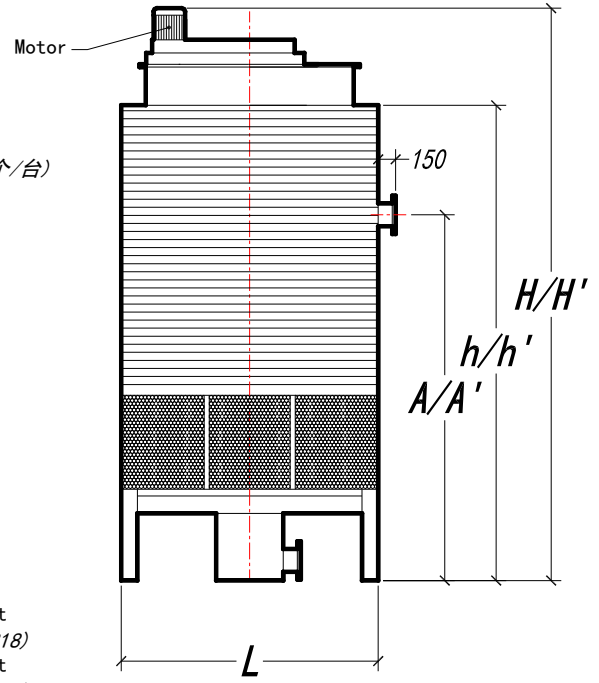
7. Nominal flow rate 28° C is the maximum flow value on the condition that inlet temperature 37° C, outlet temperature 32° C at wet bulb temperature 28° C, unit: m3/hr;
8. Nominal flow rate 28° C is the maximum flow value on the condition that inlet temperature 37° C, outlet temperature 32° C at wet bulb temperature 28° C, unit: m3/h;
9. Size *① is the corresponding size of single cell or 2cells assembly(when combination code is 1), unit: mm;
10. Size *② is the corresponding size of 3cells or more assembly(when combination code is 3), unit: mm;
11. Weight *① is the corresponding weight of single cell or 2cells assembly(when combination code is 1), unit: Kg;
12. Weight *② is the corresponding weight of 3cells or more assembly(when combination code is 3), unit: Kg.

YHD Counter-flow Cooling Tower-Technical Data: Outline Data

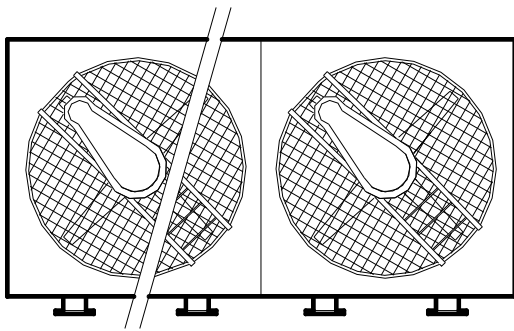
YHD-1818 2020



Front Vertical View



Left Vertical View



Top Plan View

YHD Counter-flow Cooling Tower-Technical Data: Outline Data

Below is the data for single cell:

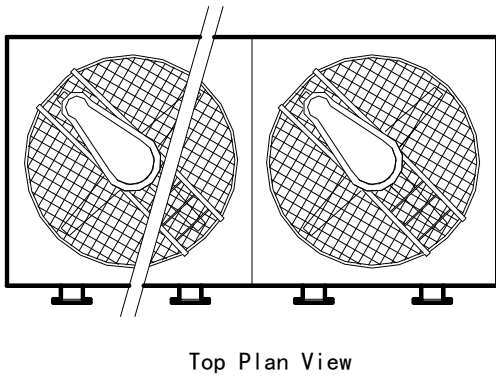
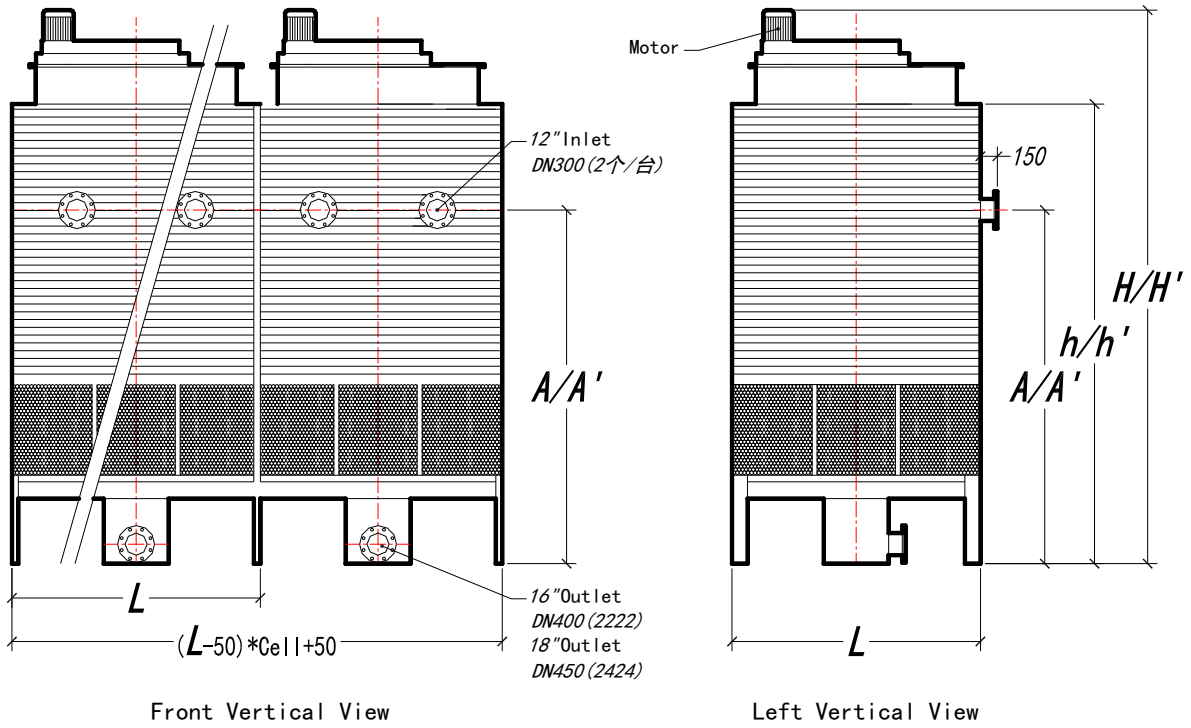
Model	Nominal	Nominal	L	Dimension * ①			Dimension * ②			Motor KW	Fan Φmm	Weight * ③		Weight * ④	
	Flow	Flow		h	H	A	h'	H'	A'			Dry	Wet	Dry	Wet
	Rate	Rate										Weight	Weight	Weight	Weight
YHD-1818RX	510	585	5575	4440	5770	3477	4840	6170	3877	15	3600	5800	13600	6100	13900
YHD-1818VX	545	625								18.5		6110	13910	6410	14210
YHD-1818KX	575	660								22		6420	14220	6720	14520
YHD-1818JX	635	729								30		6730	14530	7030	14830
YHD-1818NX	680	780								37		7040	14840	7340	15140
YHD-1818RY	558	640								4740		6070	3782	5140	6470
YHD-1818VY	597	685		18.5	6510	14310	6810	14610							
YHD-1818KY	630	723		22	6820	14620	7120	14920							
YHD-1818JY	695	797		30	7130	14930	7430	15230							
YHD-1818NY	745	855		37	7440	15240	7740	15540							
YHD-1818RZ	582	668		5040	6370	4087	5440	6770	4487						
YHD-1818VZ	622	714								18.5		6910	14710	7210	15010
YHD-1818KZ	657	754								22		7220	15020	7520	15320
YHD-1818JZ	725	832								30		7530	15330	7830	15630
YHD-1818NZ	777	892	37							7840	15640	8140	15940		
YHD-2020KX	670	769	6185							4640	6420	3577	5040	6720	3977
YHD-2020JX	740	849		30	7680	17480	7980	17780							
YHD-2020NX	792	909		37	8010	17810	8310	18110							
YHD-2020HX	840	964		45	8340	18140	8640	18440							
YHD-2020KY	733	841		22	7760	17560	8060	17860							
YHD-2020JY	810	929		30	8090	17890	8390	18190							
YHD-2020NY	867	995		37	8420	18220	8720	18520							
YHD-2020HY	920	1056		45	8750	18550	9050	18850							
YHD-2020KZ	764	877		5240	7020	4187	5640	7420	4587	22	8170	17970	8470	18270	
YHD-2020JZ	845	970								30	8500	18300	8800	18600	
YHD-2020NZ	905	1038								37	8830	18630	9130	18930	
YHD-2020HZ	960	1101								45	9160	18960	9460	19260	

★Notes:

13. Nominal flow rate 28° C is the maximum flow value on the condition that inlet temperature 37° C, outlet temperature 32° C at wet bulb temperature 28° C, unit: m3/hr;
14. Nominal flow rate 28° C is the maximum flow value on the condition that inlet temperature 37° C, outlet temperature 32° C at wet bulb temperature 28° C, unit: m3/h;
15. Size *① is the corresponding size of single cell or 2cells assembly(when combination code is 1), unit: mm;
16. Size *② is the corresponding size of 3cells or more assembly(when combination code is 3), unit: mm;
17. Weight *① is the corresponding weight of single cell or 2cells assembly(when combination code is 1), unit: Kg;
18. Weight *② is the corresponding weight of 3cells or more assembly(when combination code is 3), unit: Kg.

YHD Counter-flow Cooling Tower-Technical Data: Outline Data

YHD-2222 2424



YHD Counter-flow Cooling Tower-Technical Data: Outline Data

Below is the data for single cell:

Model	Nominal	Nominal	L	Dimension * ①			Dimension * ②			Motor KW	Fan Φmm	Weight * ③		Weight * ④	
	Flow	Flow		h	H	A	h'	H'	A'			Dry	Wet	Dry	Wet
	Rate	Rate										Weight	Weight	Weight	Weight
YHD-2222KX	760	872	6795	4740	6520	3703	5140	6920	4103	22	4200	8500	19900	8800	20200
YHD-2222JX	840	964								30		8590	19990	8890	20290
YHD-2222NX	900	1033								37		8680	20080	8980	20380
YHD-2222HX	955	1096								45		8780	20180	9080	20480
YHD-2222WX	1020	1170								55		8880	20280	9180	20580
YHD-2222KY	832	955		5040	6820	4008	5440	7220	4408	22		8700	20100	9000	20400
YHD-2222JY	920	1056								30		8790	20190	9090	20490
YHD-2222NY	985	1130								37		8880	20280	9180	20580
YHD-2222HY	1045	1199								45		8980	20380	9280	20680
YHD-2222WY	1116	1280								55		9080	20480	9380	20780
YHD-2222KZ	865	992		5340	7120	4313	5740	7520	4713	22		8900	20300	9200	20600
YHD-2222JZ	958	1099								30		8990	20390	9290	20690
YHD-2222NZ	1025	1176								37		9080	20480	9380	20780
YHD-2222HZ	1088	1248								45		9180	20580	9480	20880
YHD-2222WZ	1162	1333								55		9280	20680	9580	20980
YHD-2424JX	930	1067	7405	4840	6620	3803	5240	7020	4203	30	4700	8670	22070	8970	22370
YHD-2424NX	995	1142								37		9000	22400	9300	22700
YHD-2424HX	1060	1216								45		9330	22730	9630	23030
YHD-2424WX	1130	1297								55		9660	23060	9960	23360
YHD-2424JY	1018	1168								30		9110	22510	9410	22810
YHD-2424NY	1090	1251		5140	6920	4108	5540	7320	4508	37		9440	22840	9740	23140
YHD-2424HY	1160	1331								45		9770	23170	10070	23470
YHD-2424WY	1235	1417								55		10100	23500	10400	23800
YHD-2424JZ	1060	1216								30		9550	22950	9850	23250
YHD-2424NZ	1135	1302								37		9880	23280	10180	23580
YHD-2424HZ	1208	1386		5440	7220	4413	5840	7620	4813	45		10210	23610	10510	23910
YHD-2424WZ	1286	1476								55		10540	23940	10840	24240

★Notes:

19. Nominal flow rate 28° C is the maximum flow value on the condition that inlet temperature 37° C, outlet temperature 32° C at wet bulb temperature 28° C, unit: m3/hr;
20. Nominal flow rate 28° C is the maximum flow value on the condition that inlet temperature 37° C, outlet temperature 32° C at wet bulb temperature 28° C, unit: m3/h;
21. Size *① is the corresponding size of single cell or 2cells assembly(when combination code is 1), unit: mm;
22. Size *② is the corresponding size of 3cells or more assembly(when combination code is 3), unit: mm;
23. Weight *① is the corresponding weight of single cell or 2cells assembly(when combination code is 1), unit: Kg;
24. Weight *② is the corresponding weight of 3cells or more assembly(when combination code is 3), unit: Kg.