

Hunan Yuanheng Technology Development Co., Ltd.

No. 155 Xinkaipu Road, Changsha City, Hunan Province, China 410009

TEL: 86 731 85417298

FAX: 86 731 85416379

URL: <http://www.yhkj.com>



YHA Open Cross-flow, Induced-draft Cooling Tower

Design Information



I. Outline of models

(open type, cross flow, and induced draft)

Model	Flow Rate m ³ /h	Power System		Outline Size					Connection Diameter						Pump Head mH ₂ O	Weight		Noise value Standard point dB (A)
		Fan Diameter Φmm	Motor Power KW	Length (L)	Width		Height		Inlet DN mm	Outlet DNmm	Overflow DNmm	Auto Make-up DNmm	Manual Make-up DNmm	Drain DN mm		Dry Weight Kg	Operation Weight Kg	
					(W)	(h1)	(H)	(h)										
				mm	mm	mm	mm	mm										
YHA-80E	90	1500	2.2	1900	3480	170	4240	3060	150	150	80	20	20	50	3.7	1050	2250	57
YHA-100C	100	1500	3	1900	3480	170	3630	3060	150	150	80	20	20	50	3.7	1050	2250	59
YHA-100T	110	1500	4	1900	3480	170	3630	3060	150	150	80	20	20	50	3.7	1060	2260	60
YHA-100I	122	1500	5.5	1900	3480	170	3630	3060	150	150	80	20	20	50	3.7	1080	2280	61
YHA-100E	113	1500	3	2100	3480	170	4240	3060	150	150	80	20	20	50	3.7	1150	2350	57
YHA-125C	125	1500	4	2100	3480	170	3630	3060	150	150	80	20	20	50	3.7	1150	2350	59
YHA-125T	139	1500	5.5	2100	3480	170	3630	3060	150	150	80	20	20	50	3.7	1170	2370	60
YHA-125I	154	1500	7.5	2100	3480	170	3630	3060	150	150	80	20	20	50	3.7	1190	2390	61
YHA-125E	136	1800	3	2100	3780	170	4860	3680	150	150	80	20	20	50	4.1	1250	2550	57
YHA-150C	150	1800	4	2100	3780	170	4270	3680	150	150	80	20	20	50	4.1	1250	2550	59
YHA-150T	166	1800	5.5	2100	3780	170	4270	3680	150	150	80	20	20	50	4.1	1270	2570	60
YHA-150I	184	1800	7.5	2100	3780	170	4270	3680	150	150	80	20	20	50	4.1	1290	2590	61
YHA-150E	157	2200	4	2600	4180	170	5110	3680	150	150	80	20	20	50	4.1	1350	2850	57
YHA-175C	175	2200	5.5	2600	4180	200	4400	3680	200	200	80	20	20	50	4.1	1350	2850	60
YHA-175T	194	2200	7.5	2600	4180	200	4400	3680	200	200	80	20	20	50	4.1	1370	2870	61
YHA-175I	220	2200	11	2600	4180	200	4400	3680	200	200	80	20	20	50	4.1	1400	2900	62
YHA-175E	180	2200	4	2600	4180	200	5310	3880	200	200	80	20	20	50	4.3	1520	3130	58
YHA-200C	200	2200	5.5	2600	4180	200	4600	3880	200	200	80	25	25	50	4.3	1520	3130	60
YHA-200T	222	2200	7.5	2600	4180	200	4600	3880	200	200	80	25	25	50	4.3	1540	3150	61
YHA-200I	252	2200	11	2600	4180	200	4600	3880	200	200	80	25	25	50	4.3	1590	3200	62
YHA-200E	203	2200	5.5	2600	4180	200	5520	4090	200	200	80	25	25	50	4.6	1620	3770	58
YHA-225C	225	2200	7.5	2600	4180	200	4810	4090	200	200	80	25	25	50	4.6	1620	3770	60
YHA-225T	255	2200	11	2600	4180	200	4810	4090	200	200	80	25	25	50	4.6	1670	3820	61
YHA-225I	283	2200	15	2600	4180	200	4810	4090	200	200	80	25	25	50	4.6	1700	3850	62
YHA-225E	225	2500	5.5	3000	4480	200	5520	4090	200	200	80	25	25	50	4.6	2080	4300	58
YHA-250C	250	2500	7.5	3000	4480	200	4810	4090	200	200	80	25	25	50	4.6	2080	4300	61
YHA-250T	284	2500	11	3000	4480	200	4810	4090	200	200	80	25	25	50	4.6	2130	4350	62
YHA-250I	315	2500	15	3000	4480	200	4810	4090	200	200	80	25	25	50	4.6	2160	4380	63
YHA-250E	271	2500	5.5	3000	5080	200	5120	3690	200	200	80	25	25	50	4.2	2420	5070	59
YHA-300C	300	2500	7.5	3000	5080	200	4410	3690	200	200	80	25	25	50	4.2	2420	5070	61
YHA-300T	341	2500	11	3000	5080	200	4410	3690	200	200	80	25	25	50	4.2	2470	5120	62
YHA-300I	378	2500	15	3000	5080	200	4410	3690	200	200	80	25	25	50	4.2	2500	5150	63
YHA-300E	308	2500	7.5	3000	5080	200	5520	4090	200	200	80	25	25	50	4.6	2550	5300	59
YHA-350C	350	2500	11	3000	5080	200	4810	4090	200	200	80	40	40	50	4.6	2550	5300	61
YHA-350T	388	2500	15	3000	5080	200	4810	4090	200	200	80	40	40	50	4.6	2580	5330	62
YHA-350I	416	2500	18.5	3000	5080	200	4810	4090	200	200	80	40	40	50	4.6	2630	5380	63
YHA-350E	352	2950	7.5	3300	5550	200	5920	4190	200	200	80	40	40	50	4.7	2850	6200	59
YHA-400C	400	2950	11	3300	5550	220	5030	4190	125	250	80	40	40	50	4.7	2850	6200	62
YHA-400T	444	2950	15	3300	5550	220	5030	4190	125	250	80	40	40	50	4.7	2880	6230	63

YHA-400I	476	2950	18.5	3300	5550	220	5030	4190	125 ×4	250	80	40	40	50	4.7	2930	6280	64
YHA-400E	396	2950	7.5	3300	5550	220	6530	4800	125 ×4	250	80	40	40	50	5.5	3250	6600	60
YHA-450C	450	2950	11	3300	5550	220	5640	4800	125 ×4	250	80	40	40	50	5.5	3250	6600	62
YHA-450T	499	2950	15	3300	5550	220	5640	4800	125 ×4	250	80	40	40	50	5.5	3280	6630	63
YHA-450I	535	2950	18.5	3300	5550	220	5640	4800	125 ×4	250	80	40	40	50	5.5	3330	6680	64
YHA-450E	451	2950	11	3800	5550	220	6530	4800	125 ×4	250	80	40	40	50	5.5	3550	7400	60
YHA-500C	500	2950	15	3800	5550	220	5640	4800	150 ×4	300	80	40	40	50	5.5	3550	7400	63
YHA-500T	536	2950	18.5	3800	5550	220	5640	4800	150 ×4	300	80	40	40	50	5.5	3600	7450	64
YHA-500I	568	2950	22	3800	5550	220	5640	4800	150 ×4	300	80	40	40	50	5.5	3630	7480	65
YHA-500E	495	3400	11	3800	6000	250	6350	4900	150 ×4	300	80	40	40	50	5.6	4050	8200	61
YHA-550C	550	3400	15	3800	6000	250	5800	4900	150 ×4	300	80	50	50	50	5.6	4050	8200	63
YHA-550T	589	3400	18.5	3800	6000	250	5800	4900	150 ×4	300	80	50	50	50	5.6	4100	8250	64
YHA-550I	624	3400	22	3800	6000	250	5800	4900	150 ×4	300	80	50	50	50	5.6	4130	8280	65
YHA-550E	541	3400	11	4600	6000	250	6350	4900	150 ×4	300	80	50	50	50	5.6	4650	9800	61
YHA-600C	600	3400	15	4600	6000	250	5800	4900	150 ×4	300	80	50	50	50	5.6	4650	9800	63
YHA-600T	644	3400	18.5	4600	6000	250	5800	4900	150 ×4	300	80	50	50	50	5.6	4700	9850	64
YHA-600I	682	3400	22	4600	6000	250	5800	4900	150 ×4	300	80	50	50	50	5.6	4730	9880	65
YHA-600E	601	3600	11	4600	6200	250	6550	5100	150 ×4	300	80	50	50	50	5.8	5050	10500	61
YHA-700C	700	3600	18.5	4600	6200	250	6000	5100	150 ×4	300	80	50	50	50	5.8	5050	10500	64
YHA-700T	741	3600	22	4600	6200	250	6000	5100	150 ×4	300	80	50	50	50	5.8	5080	10530	65
YHA-700I	822	3600	30	4600	6200	250	6000	5100	150 ×4	300	80	50	50	50	5.8	5150	10600	66
YHA-700E	704	3600	15	5100	6200	250	6550	5100	150 ×4	300	80	50	50	50	5.8	5450	11500	62
YHA-800C	800	3600	22	5100	6200	250	6000	5100	150 ×4	300	80	50	50	50	5.8	5450	11500	65
YHA-800T	887	3600	30	5100	6200	250	6000	5100	150 ×4	300	80	50	50	50	5.8	5520	11570	66
YHA-800I	951	3600	37	5100	6200	250	6000	5100	150 ×4	300	80	50	50	50	5.8	5600	11650	67
YHA-800E	812	4200	22	5300	6800	250	7440	5510	150 ×4	300	80	50	50	50	6.2	6250	13800	63
YHA-900C	900	4200	30	5300	6800	310	6850	5510	200 ×4	350	80	50×2	80	50	6.2	6250	13800	67
YHA-900T	966	4200	37	5300	6800	310	6850	5510	200 ×4	350	80	50×2	80	50	6.2	6330	13880	68
YHA-900I	1031	4200	45	5300	6800	310	6850	5510	200 ×4	350	80	50×2	80	50	6.2	6380	13930	69
YHA-900E	905	4700	30	5500	7300	310	8130	6100	200 ×4	350	80	50×2	50	50	6.8	6950	15500	65
YHA-1000C	1000	4700	37	5500	7300	310	7200	6100	200 ×4	350	80	50×2	80	50	6.8	6950	15500	67
YHA-1000T	1068	4700	45	5500	7300	310	7200	6100	200 ×4	350	80	50×2	80	50	6.8	7000	15550	68
YHA-1000I	1142	4700	55	5500	7300	310	7200	6100	200 ×4	350	80	50×2	80	50	6.8	7100	15650	69

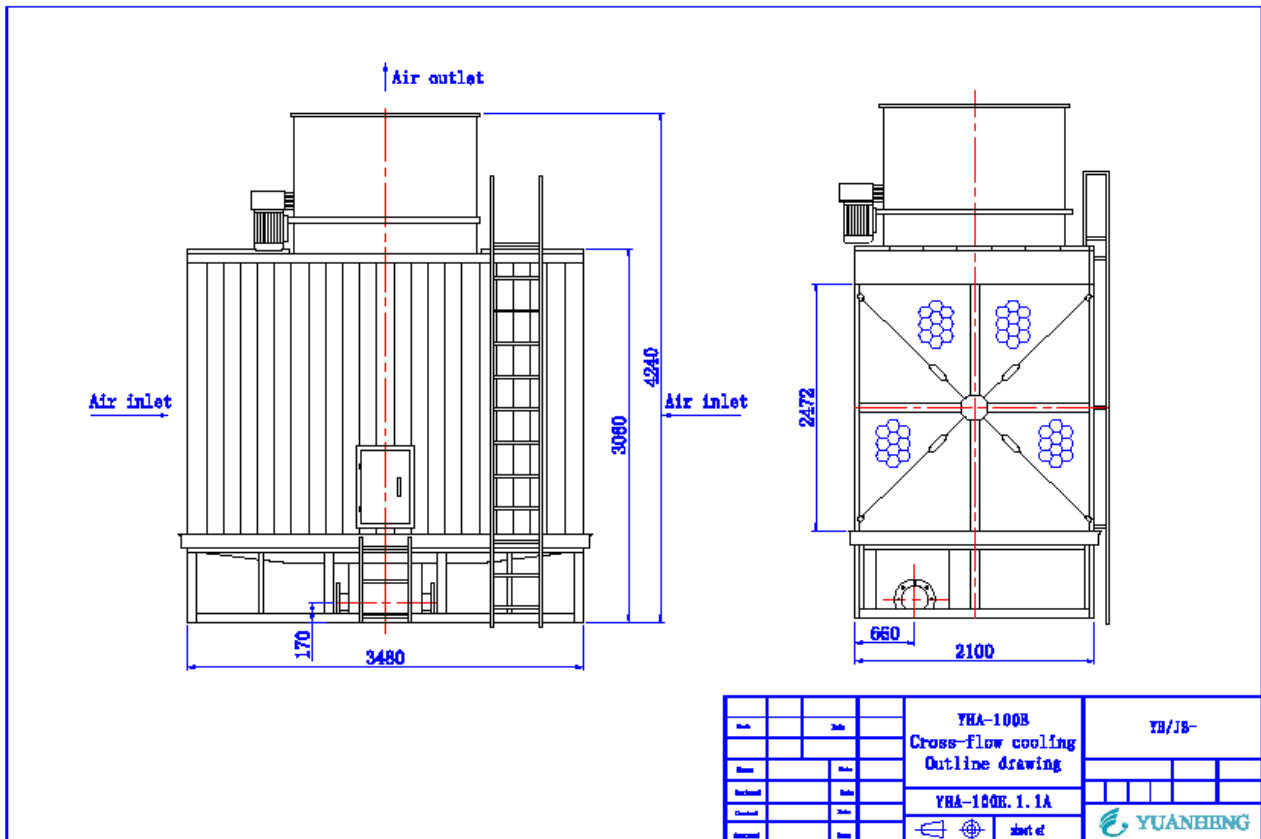
* Significance of the model names:

YH	A	-	xxx	E	*x
Yuanheng	Open & Cross-flow		Nominal flowrate	one or two sizes smaller motor for energy-saving low-sound applications	No. of cells
YH	A	-	xxx	C	*x
Yuanheng	Open & Cross-flow		Nominal flowrate	standard motor size used for standard model applications	No. of cells
YH	A	-	xxx	T	*x
Yuanheng	Open & Cross-flow		Nominal flowrate	one size larger motor for economical applications	No. of cells
YH	A	-	xxx	I	*x
Yuanheng	Open & Cross-flow		Nominal flowrate	two sizes larger motor compact applications	No. of cells

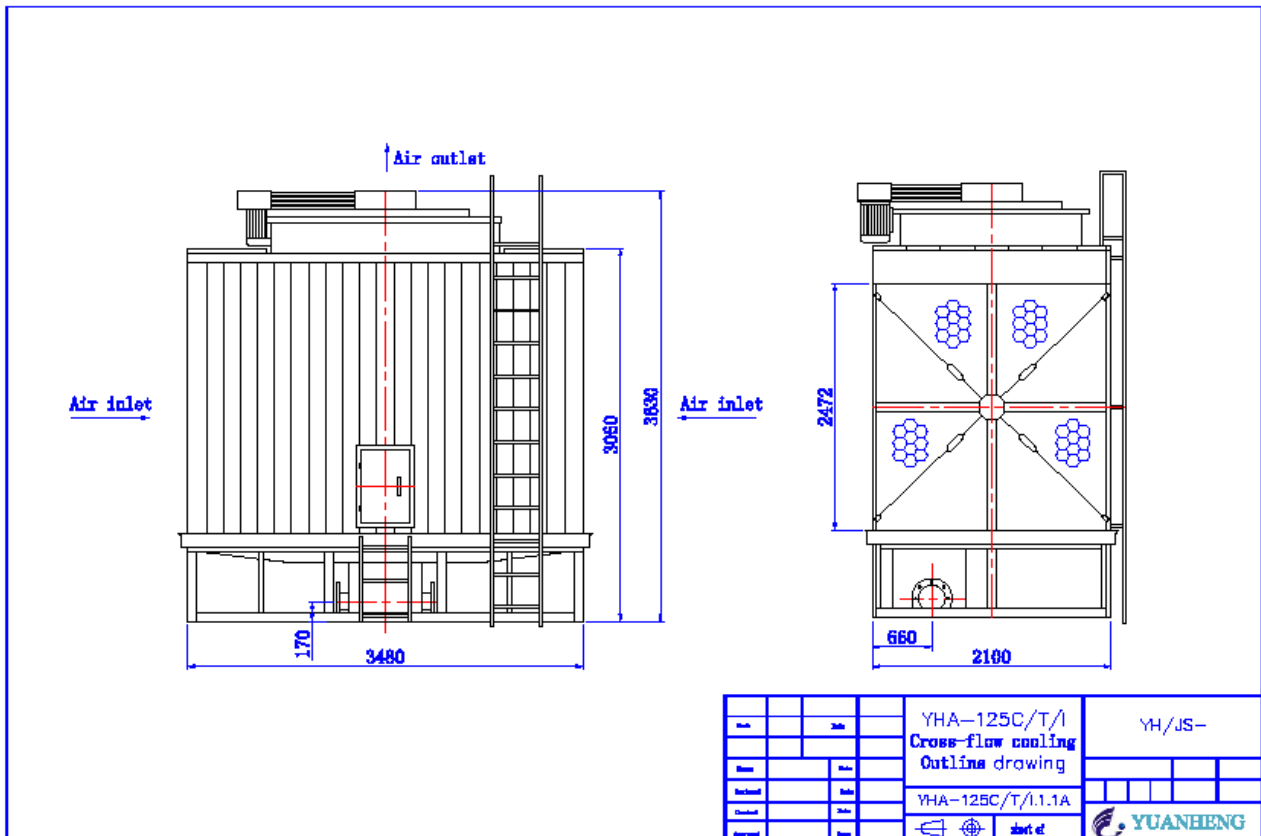
Footnotes:

- Multiple cell models of the single cell models above are also available and included in the CTI Certification but are not individually listed.
- “E,C,T or I” at the end of the model numbers indicates the relative motor size and capacity.
 - “C” indicates standard motor size used for standard model applications
 - “E” indicates one or two sizes smaller motor for energy-saving low-sound applications
 - “T” indicates one size larger motor for economical applications
 - “I” indicates two sizes larger motor compact applications
- Standard construction is galvanized structure and fiber reinforced plastic casing material. Certification also includes alternate tower construction materials indicated by suffixes –SZ, -S, -SD, and –SL which are added to basic model numbers where:
 - SZ is for high corrosion-resistance alloy galvanized steel casing, basin, mainframe and hardware;
 - S is for stainless steel casing, basin, mainframe and hardware;
 - SD is for magnesium aluminum zinc casing, basin, mainframe and hardware;
 - SL is for aluminized zinc casing, basin, mainframe and hardware;
- Sample model number: YHA-100E-S
 - Where: YHA=Product line name
 - 100=Reference capacity or nominal size
 - E=Energy-saving low-sound motor size
 - S=Stainless steel casing, basin, mainframe and hardware

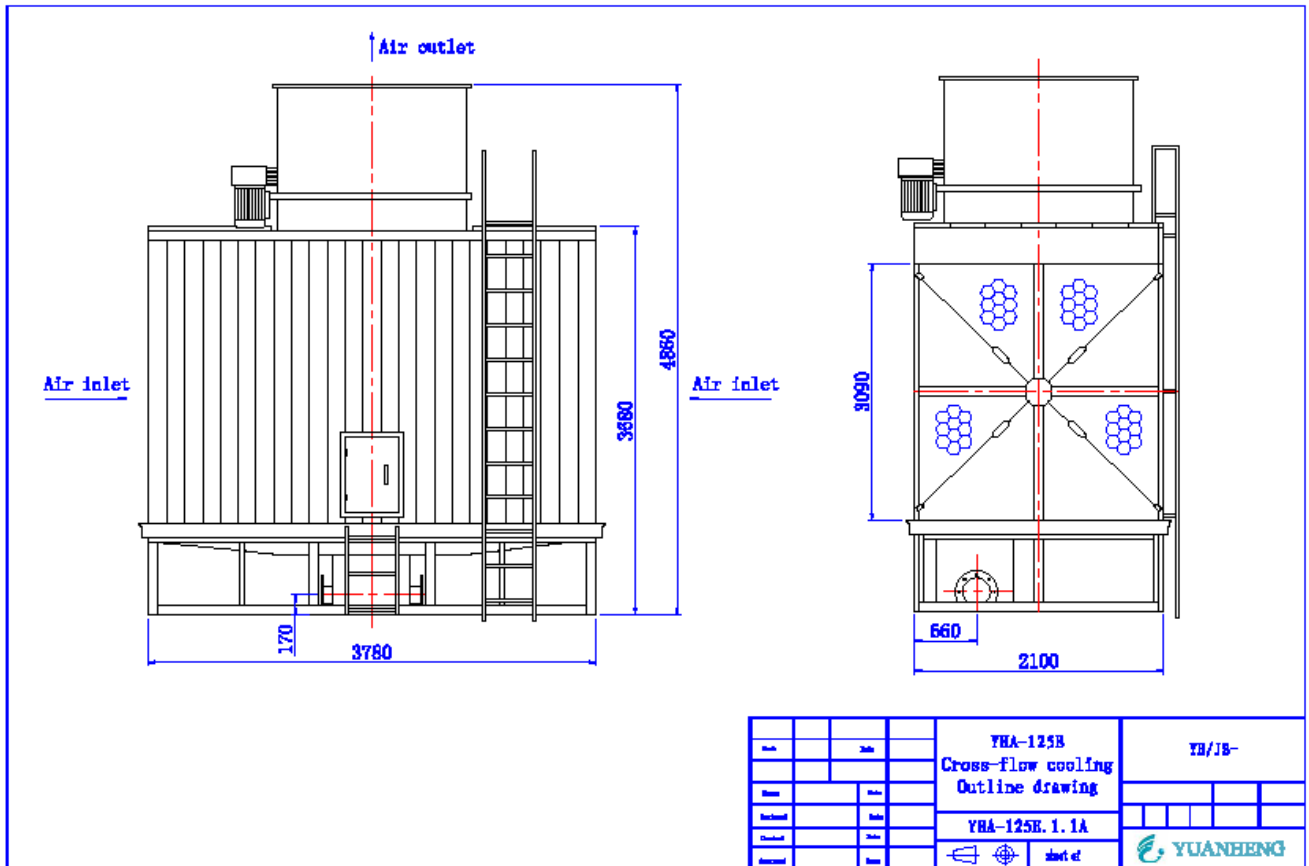
3) Model YHA-100E



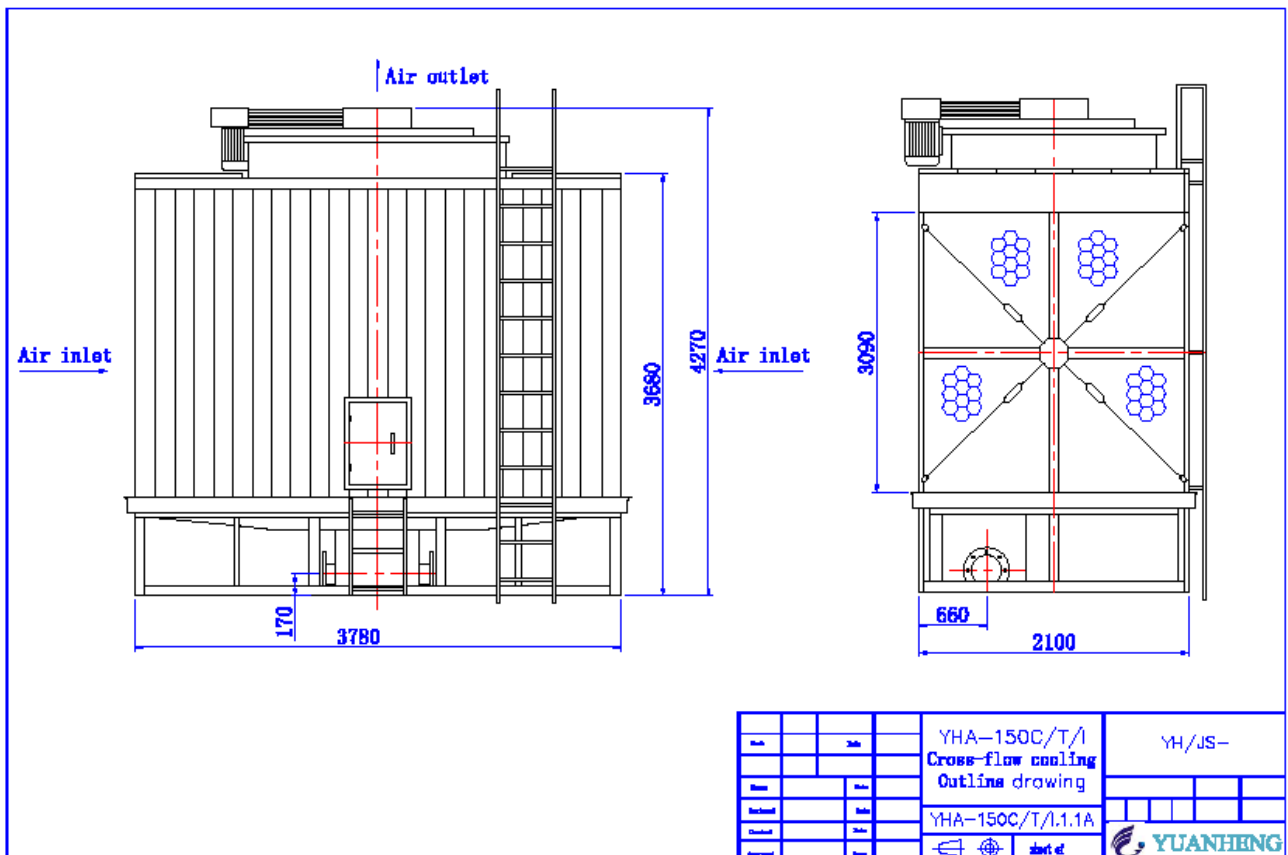
4) Model YHA-125C/T/I



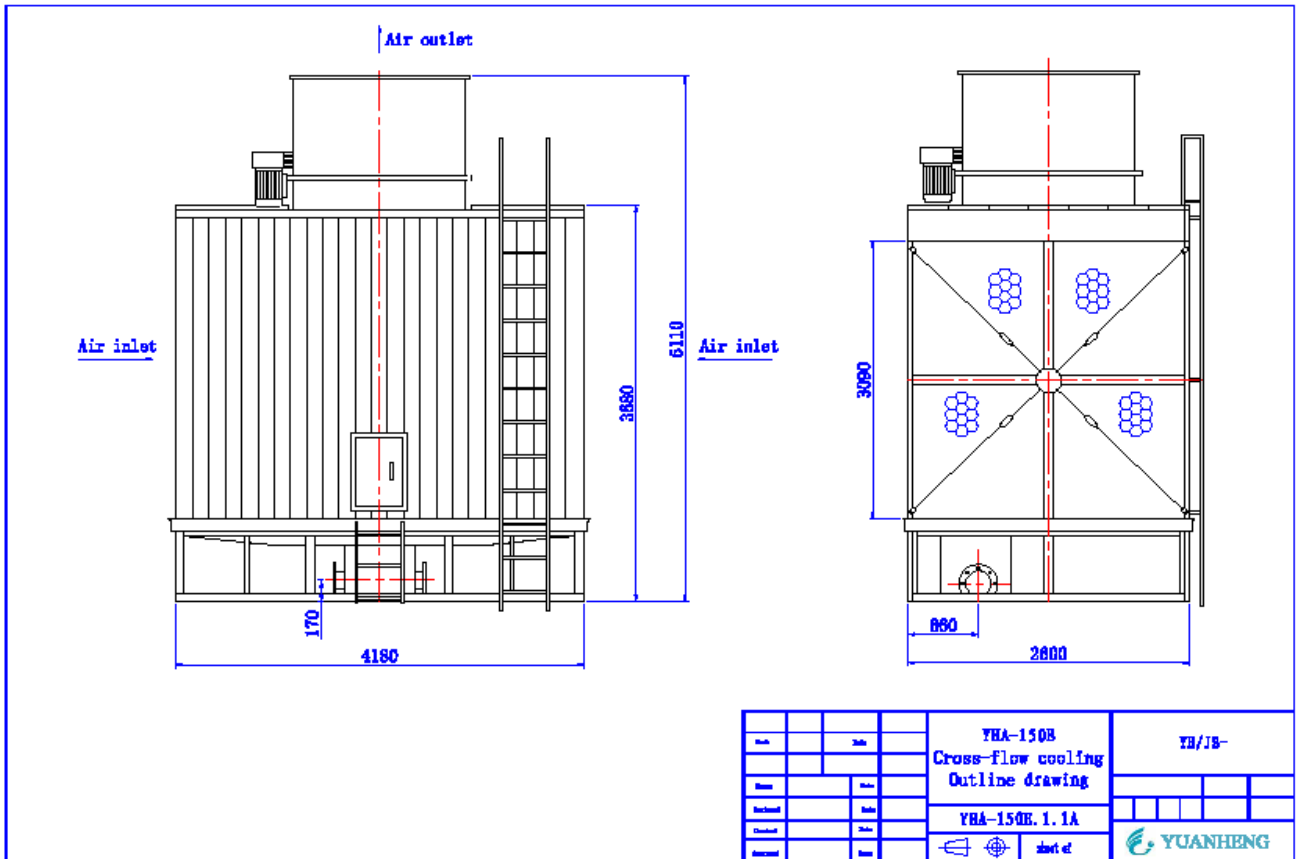
5) Model YHA-125E



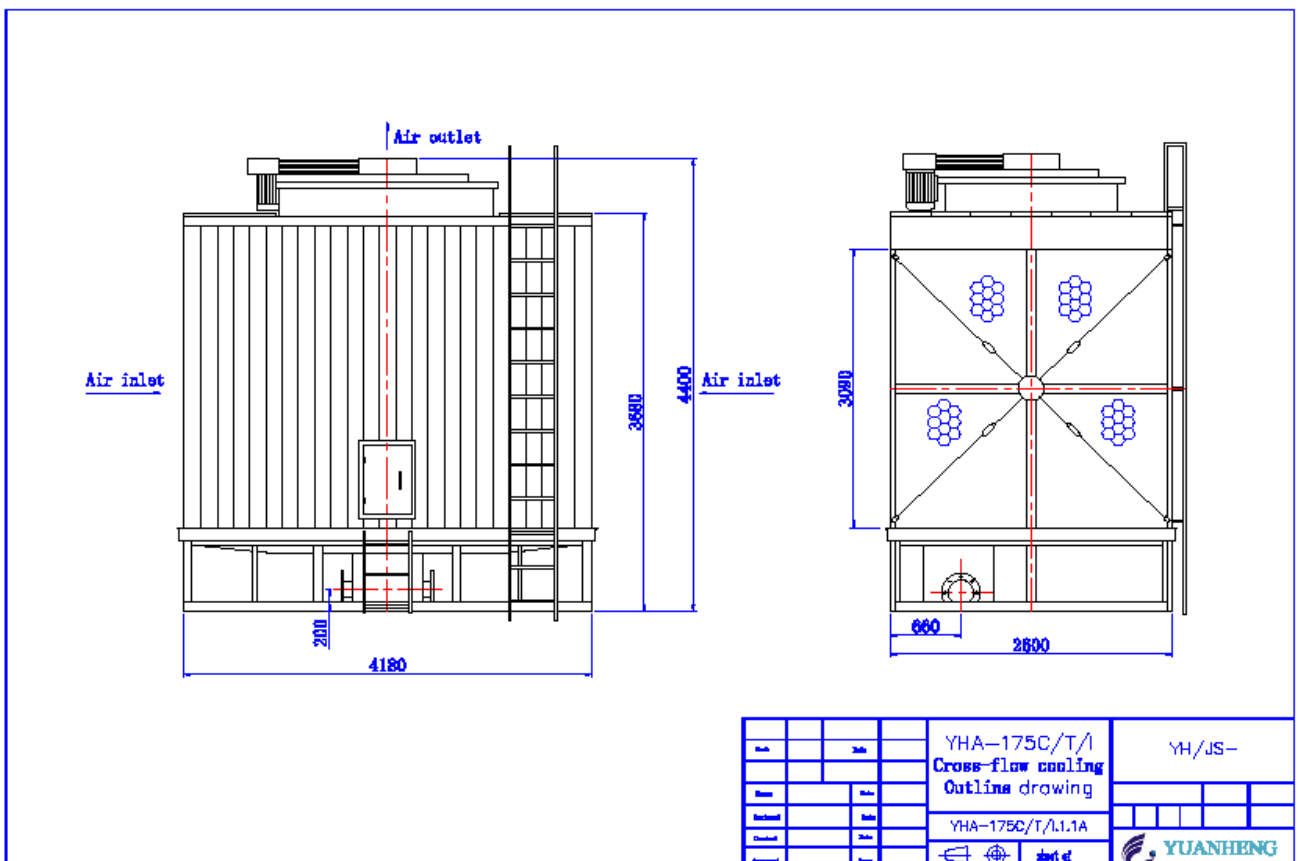
6) Model YHA-150C/T/I



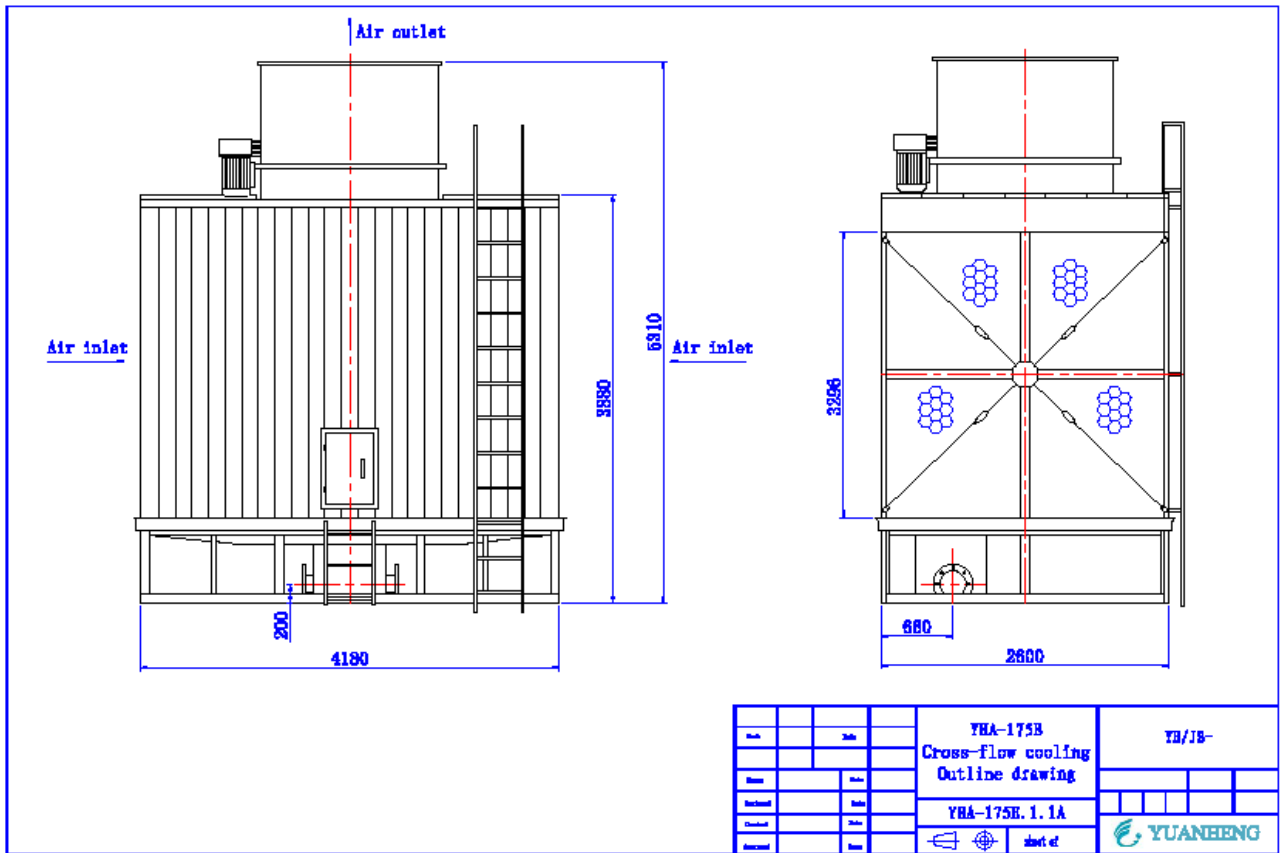
7) Model YHA-150E



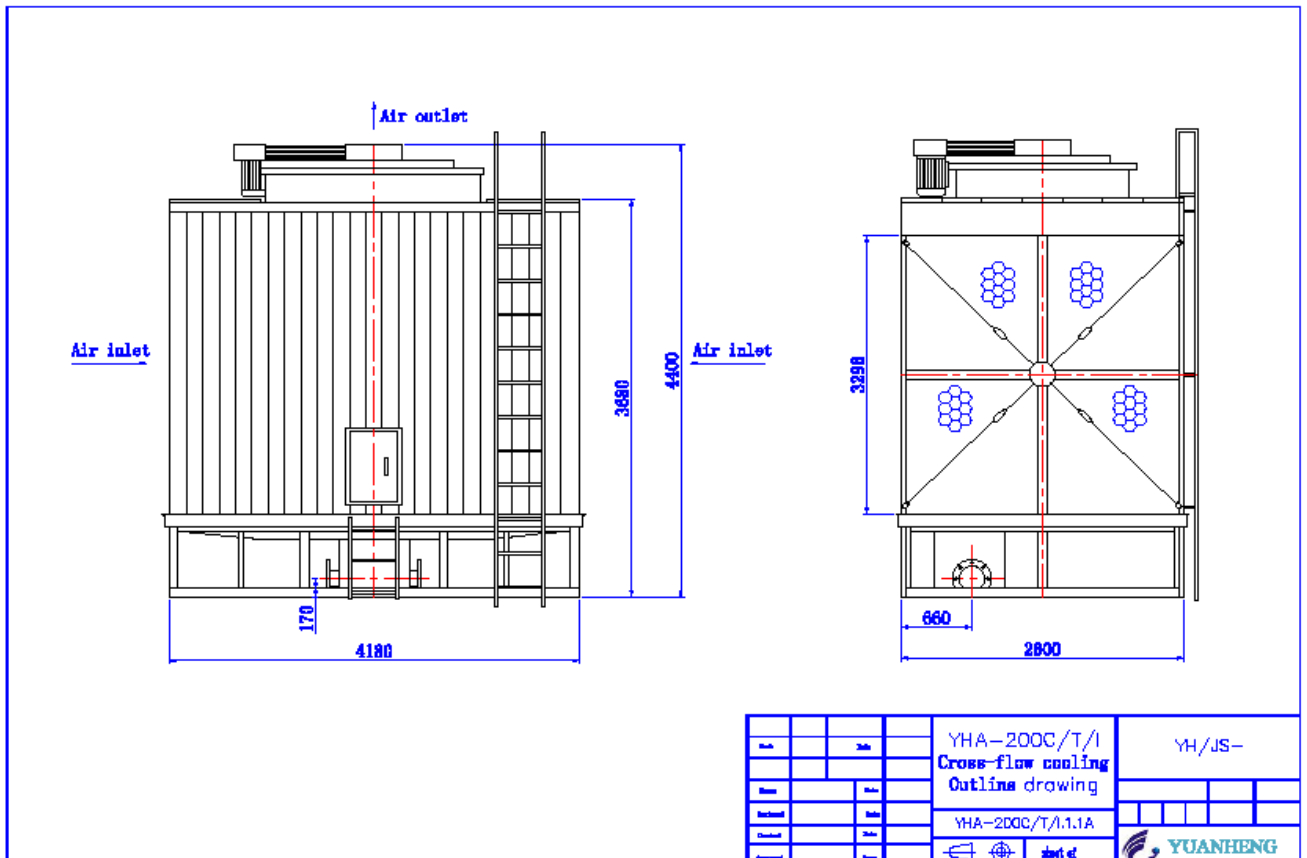
8) Model YHA-175C/T/I



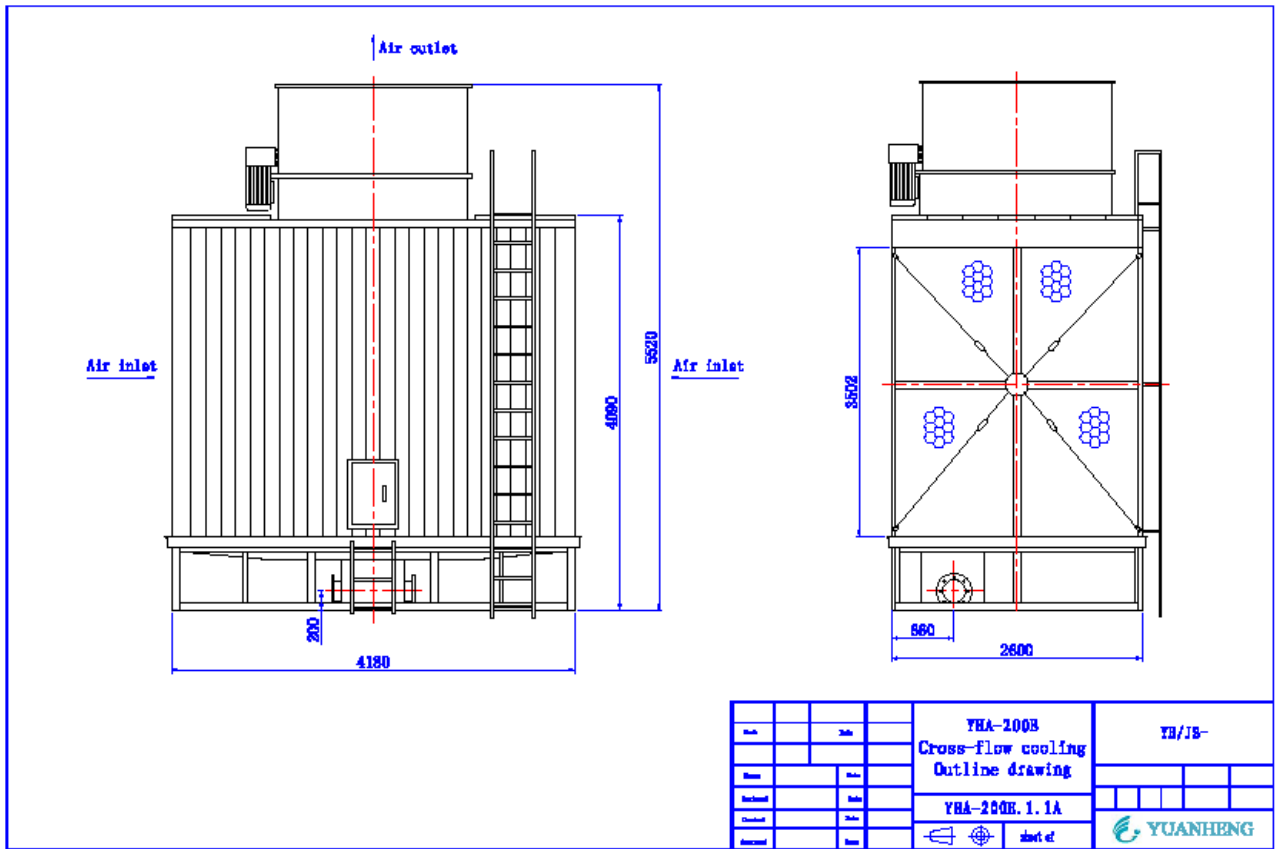
9) Model YHA-175E



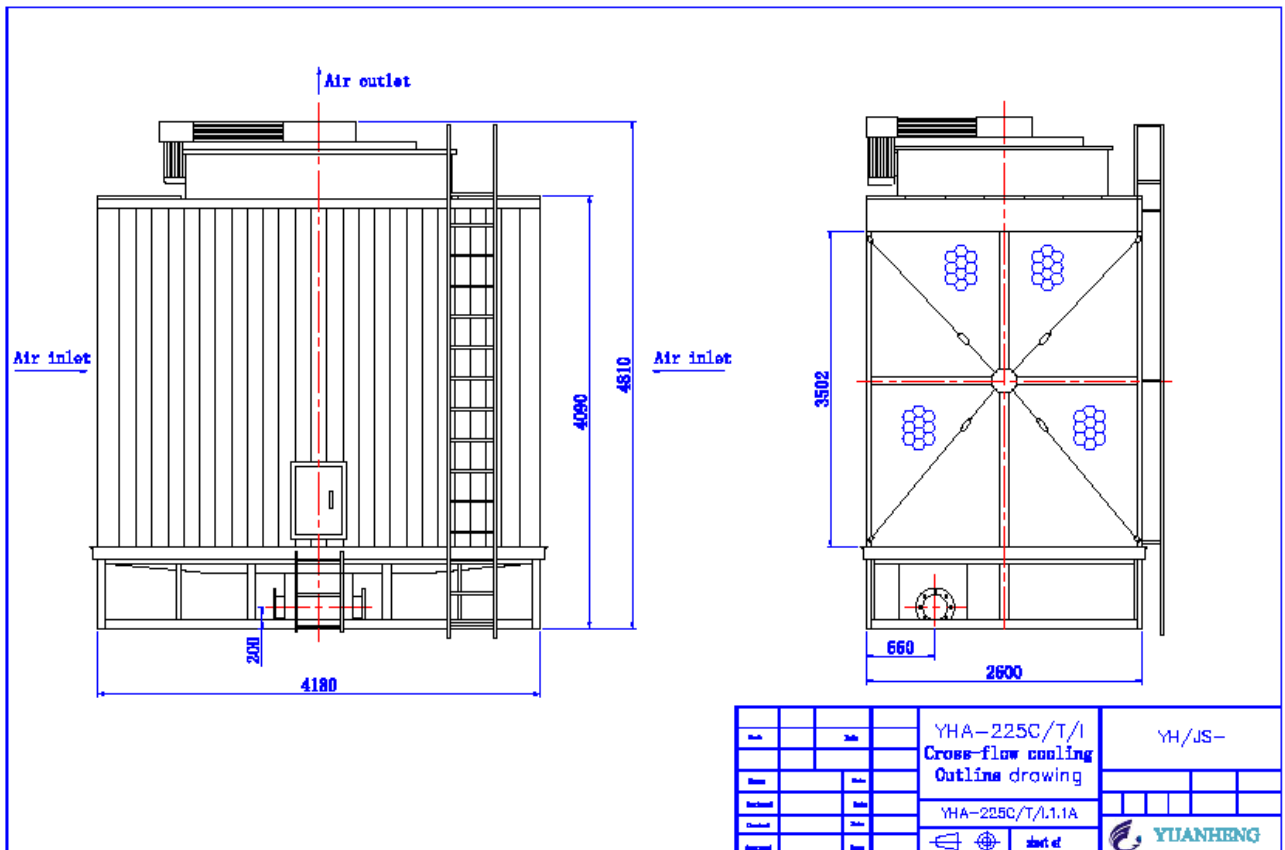
10) Model YHA-200C/T/I



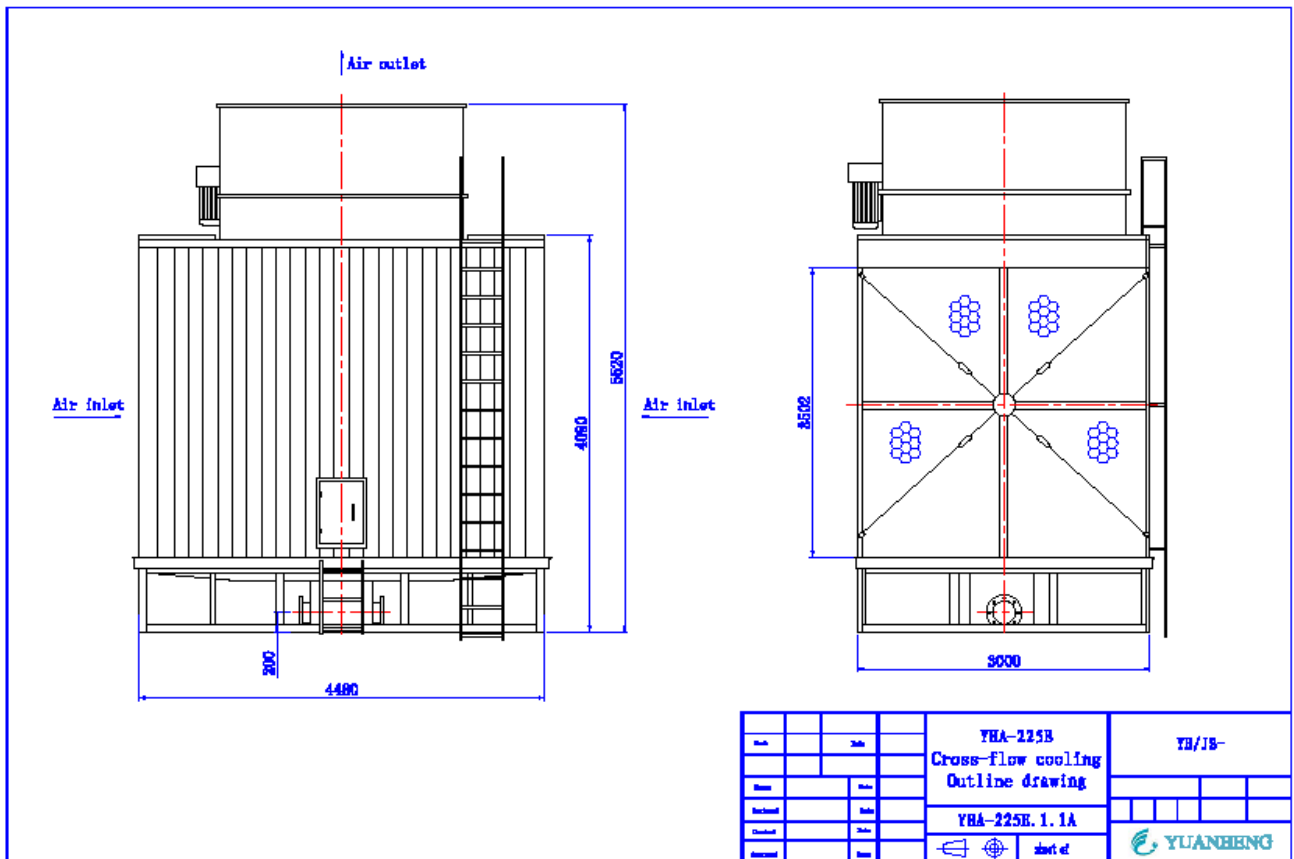
11) Model YHA-200E



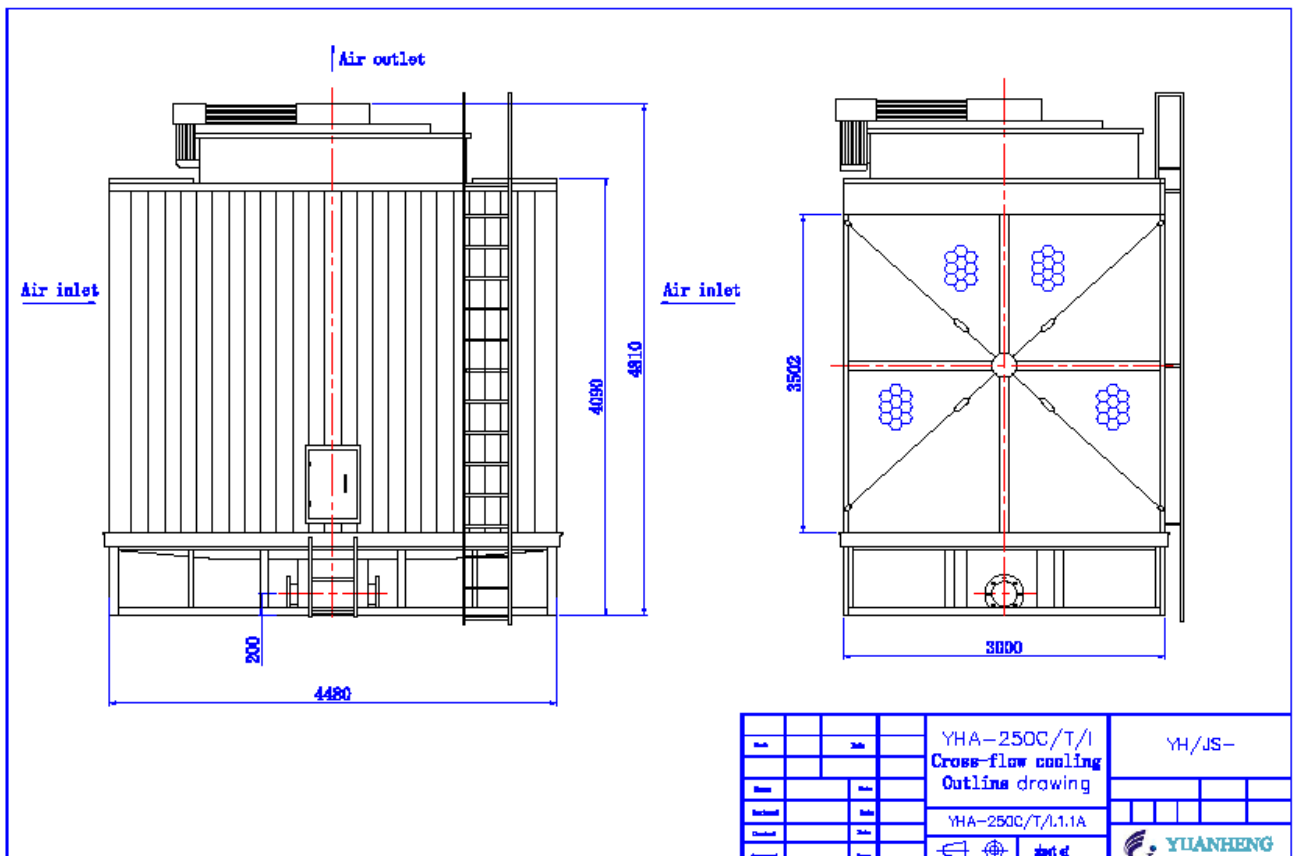
12) Model YHA-225C/T/I



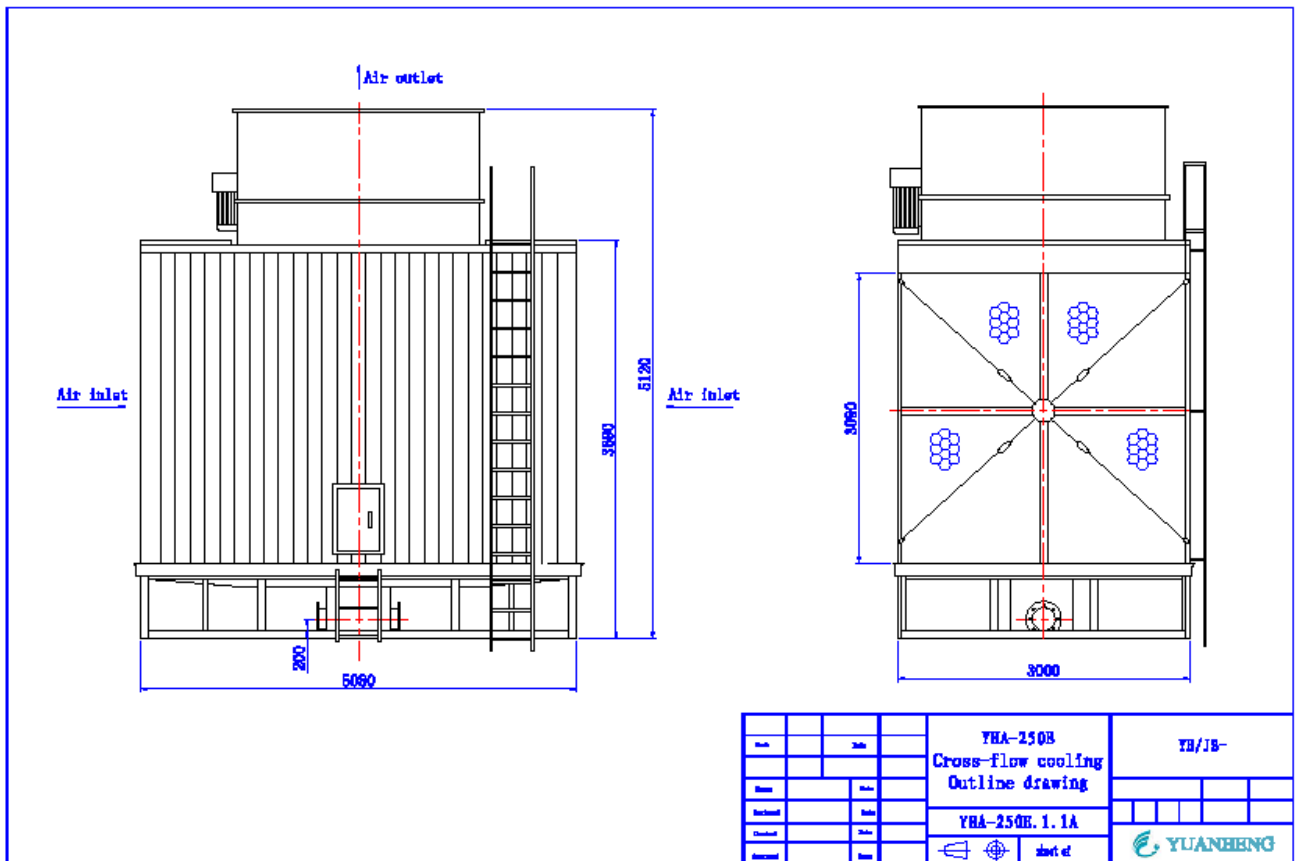
13) Model YHA-225E



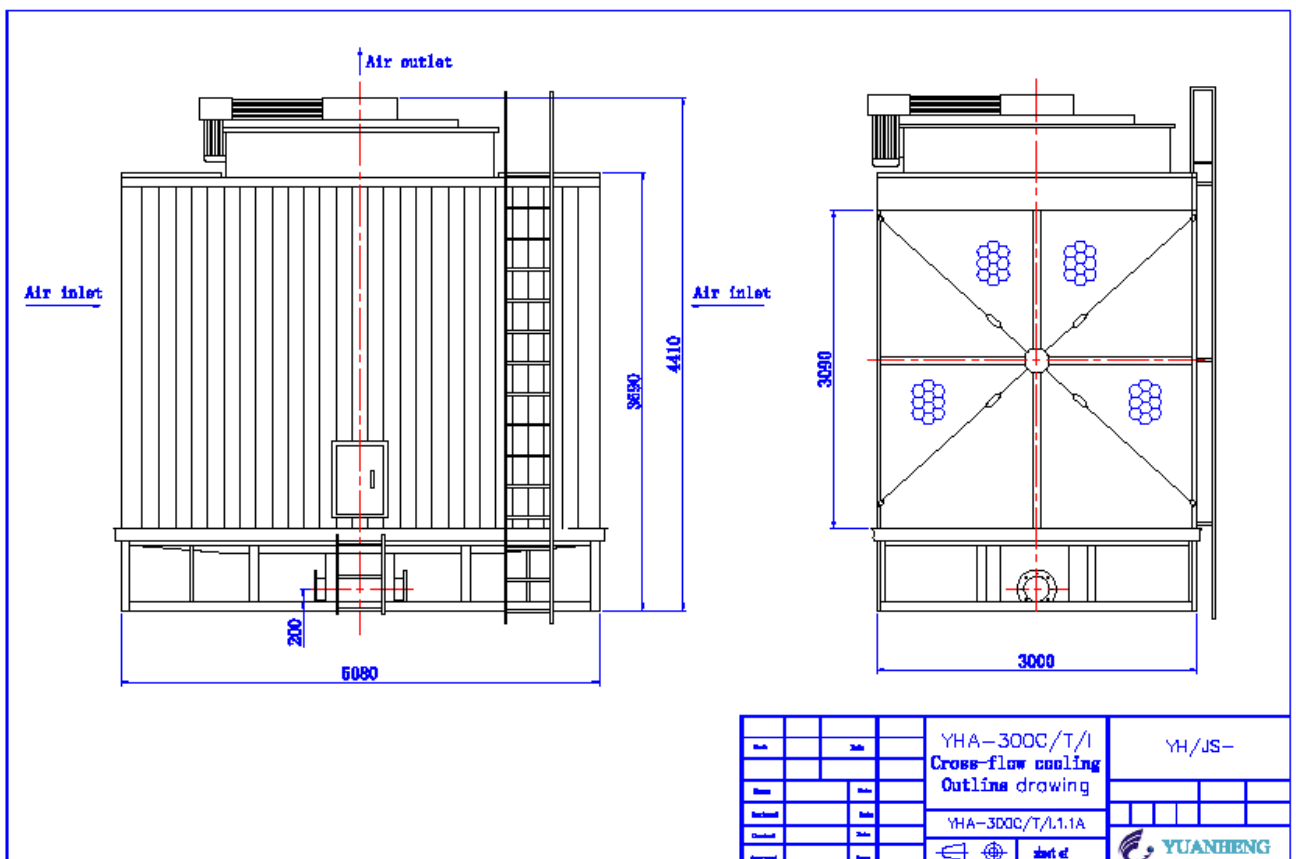
14) Model YHA-250C/T/I



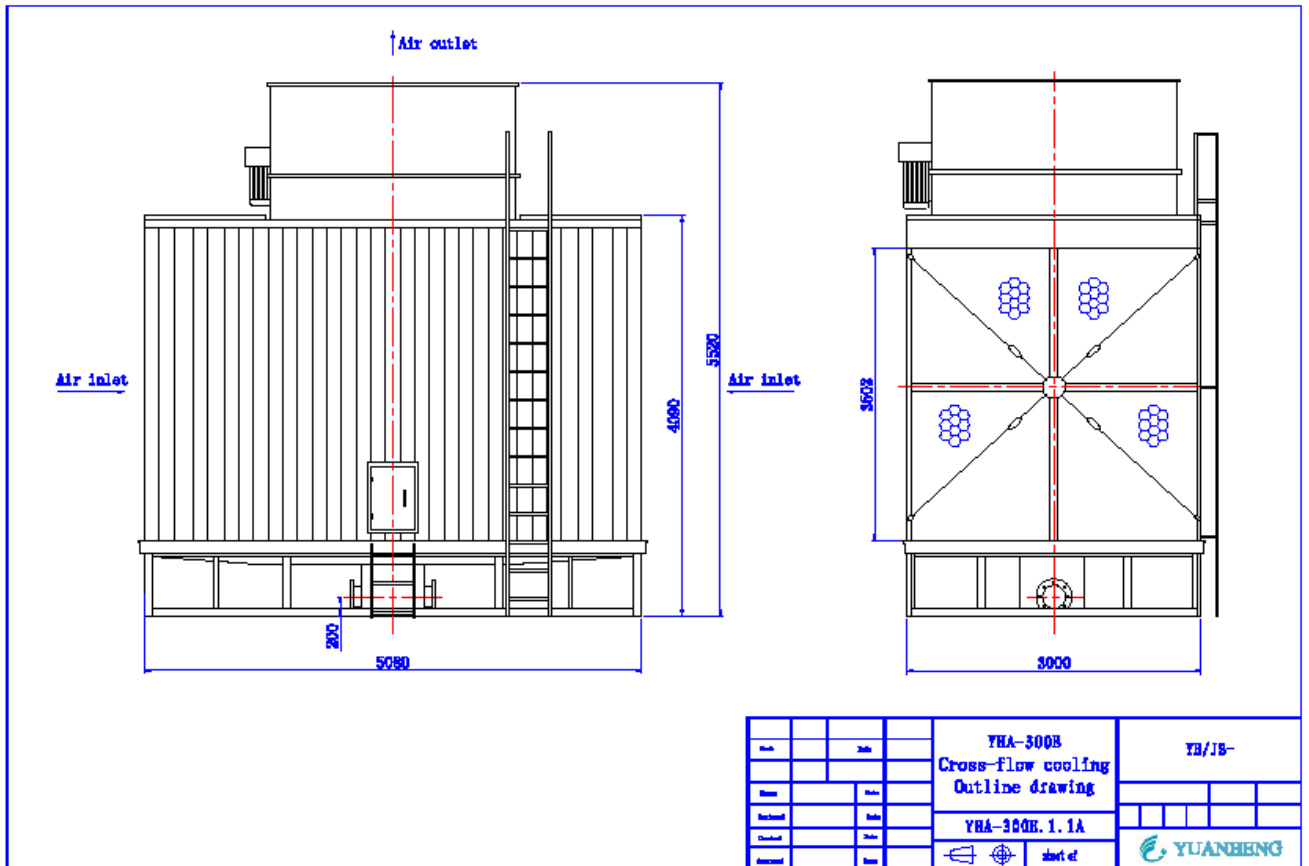
15) Model YHA-250E



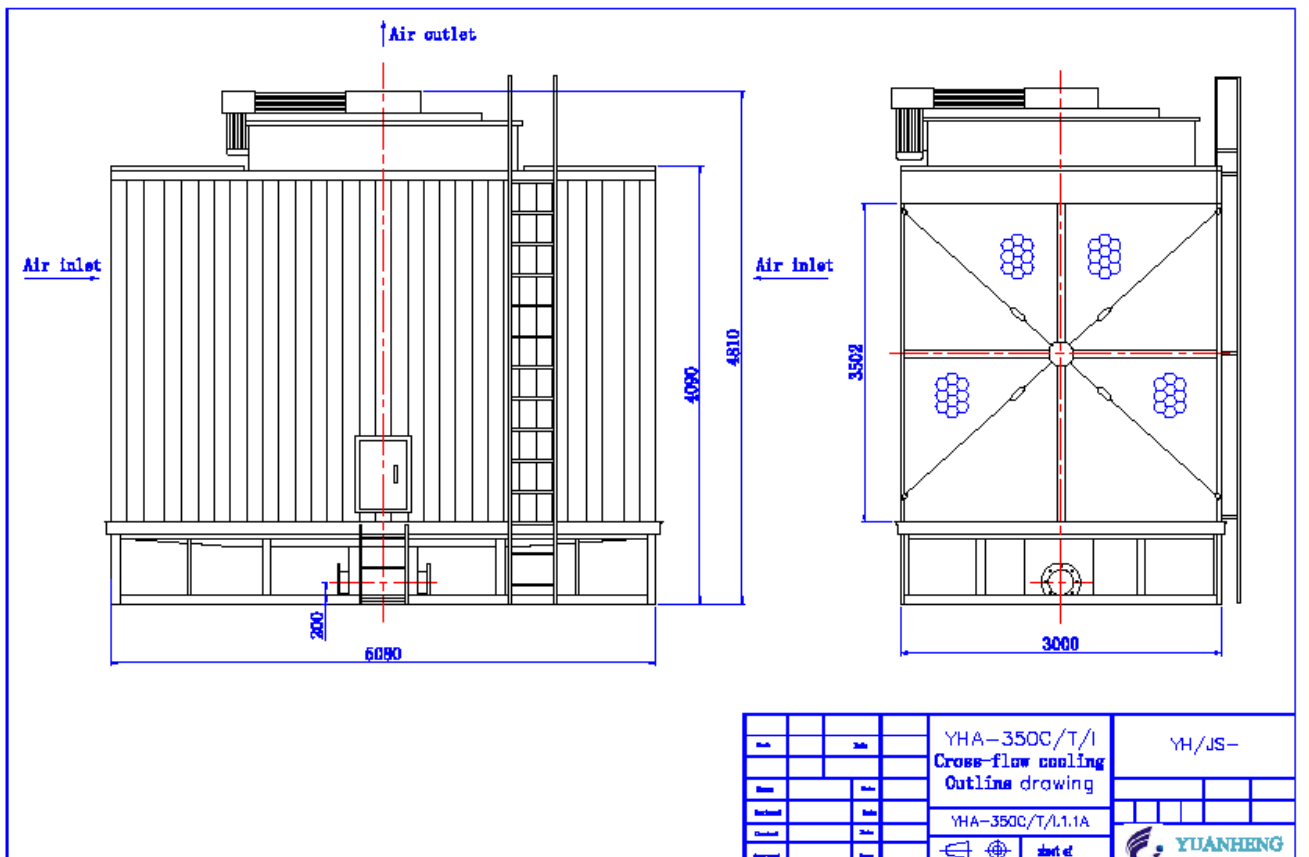
16) Model YHA-300C/T/I



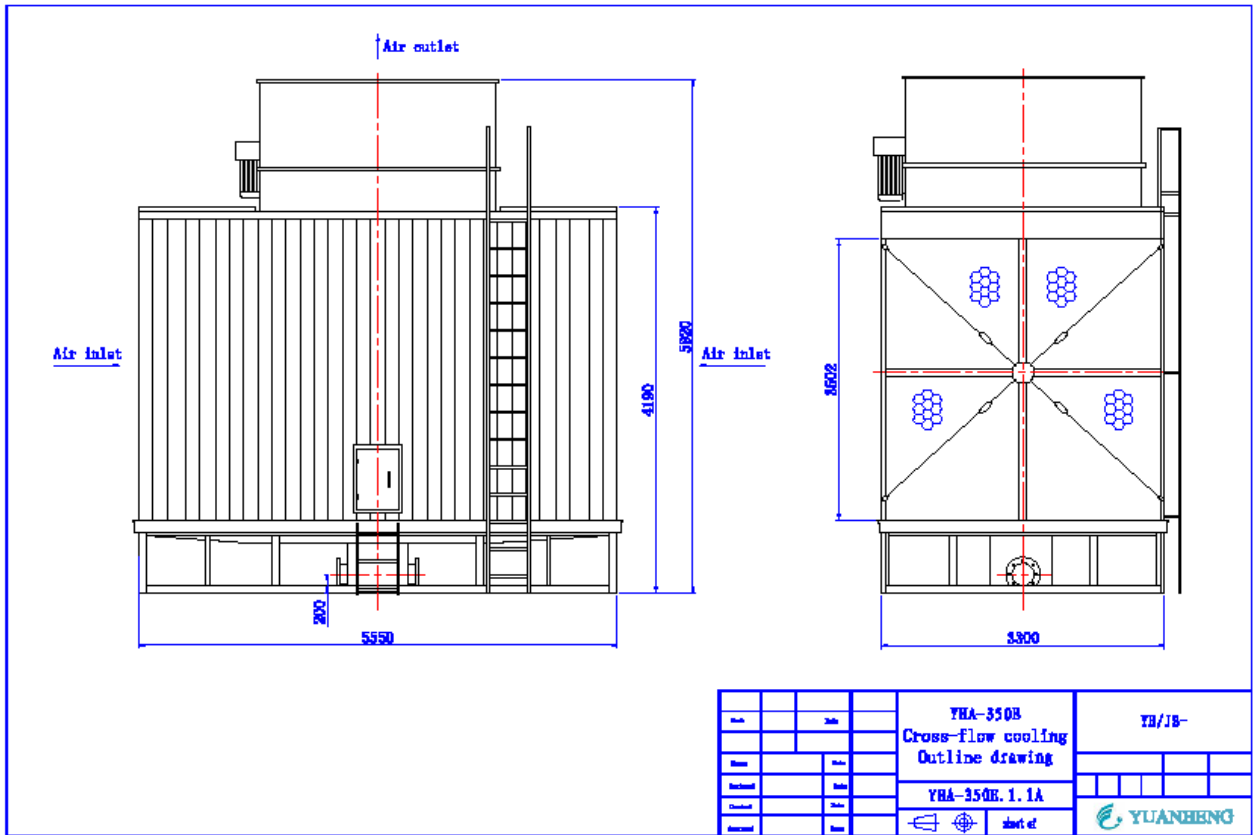
17) Model YHA-300E



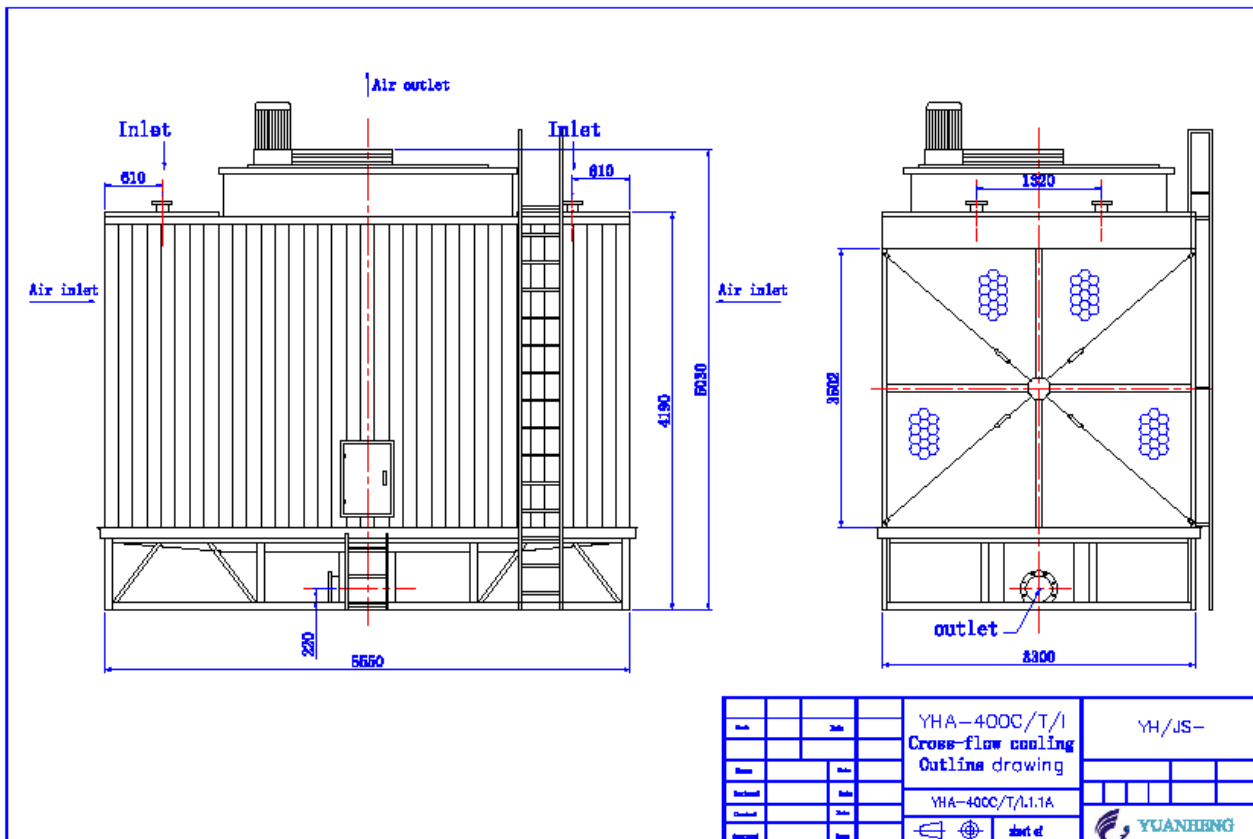
18) Model YHA-350C/T/I



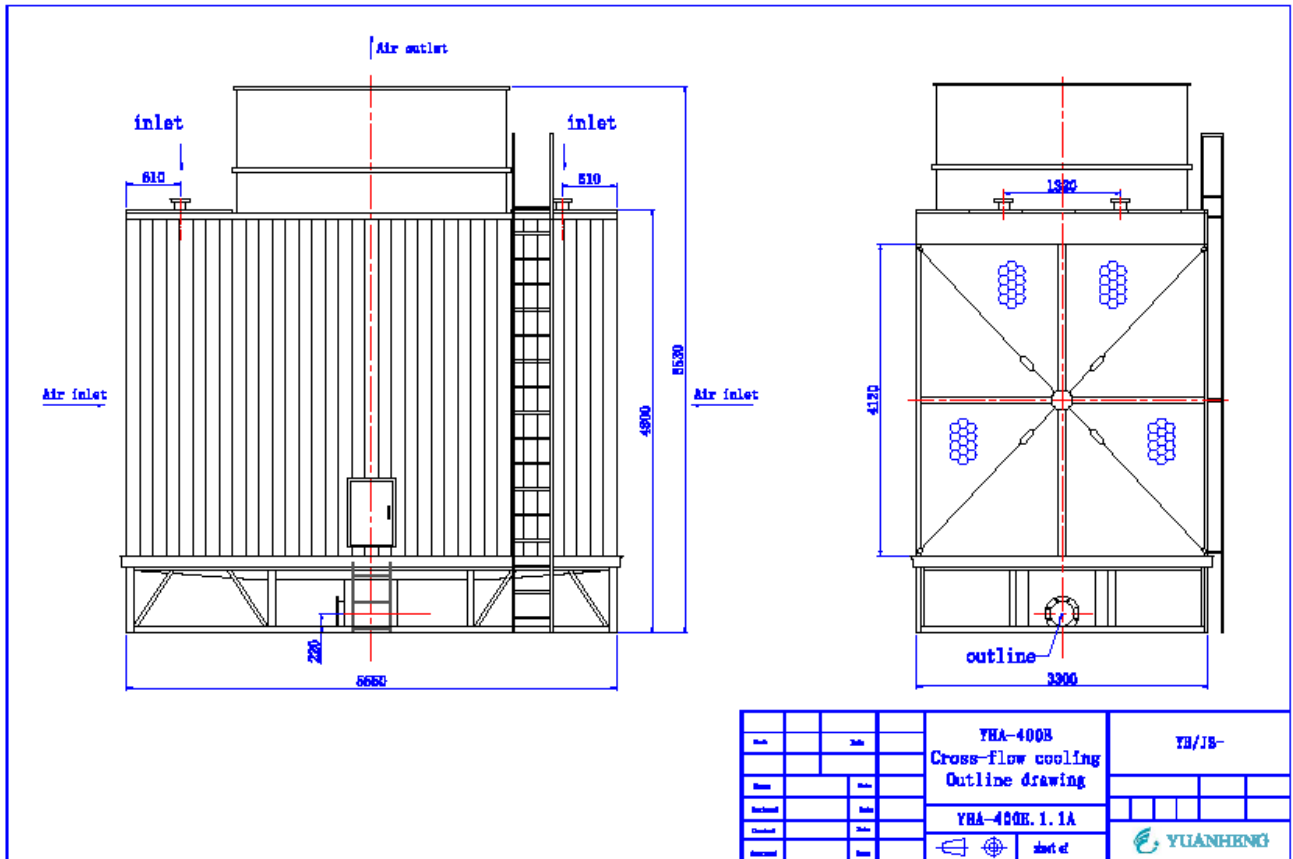
19) Model YHA-350E



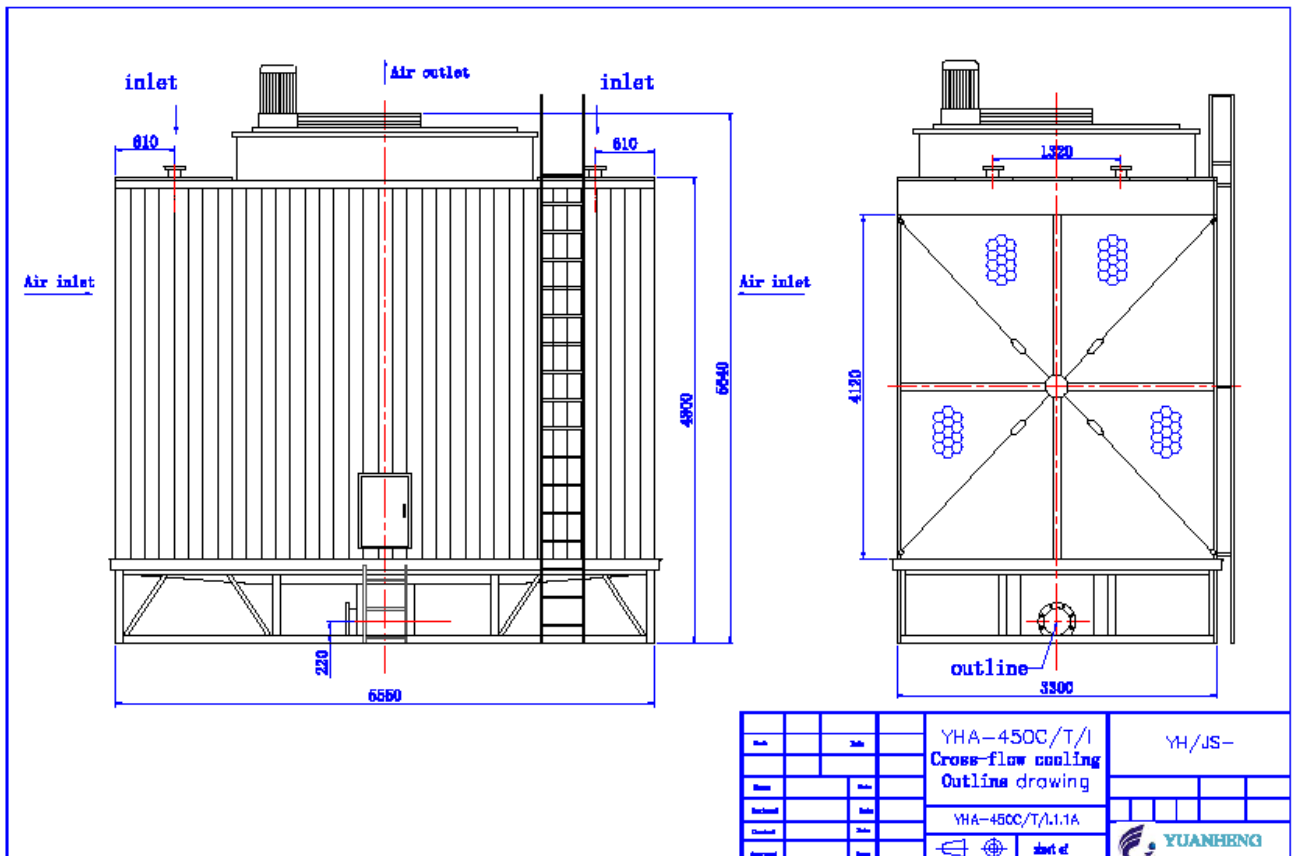
20) Model YHA-400C/T/I



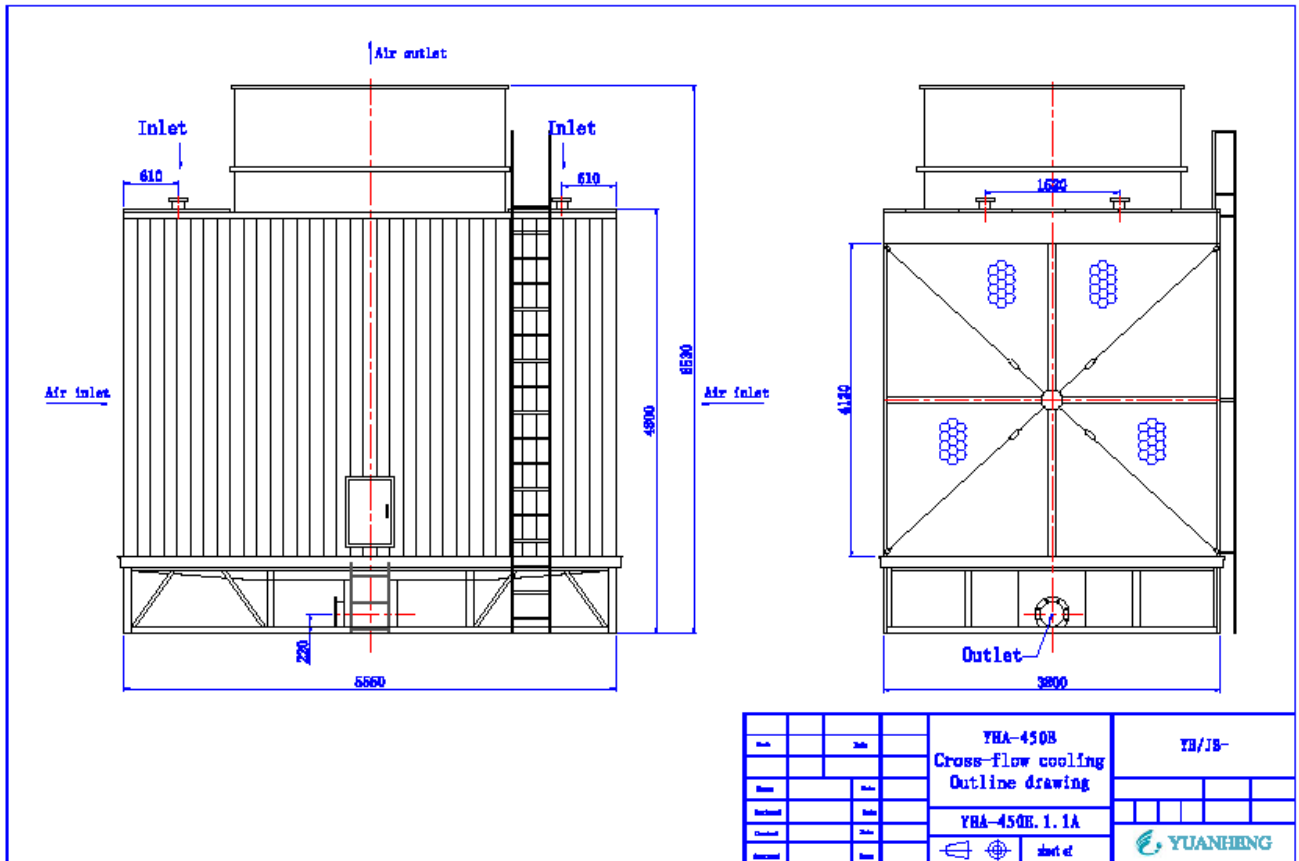
21) Model YHA-400E



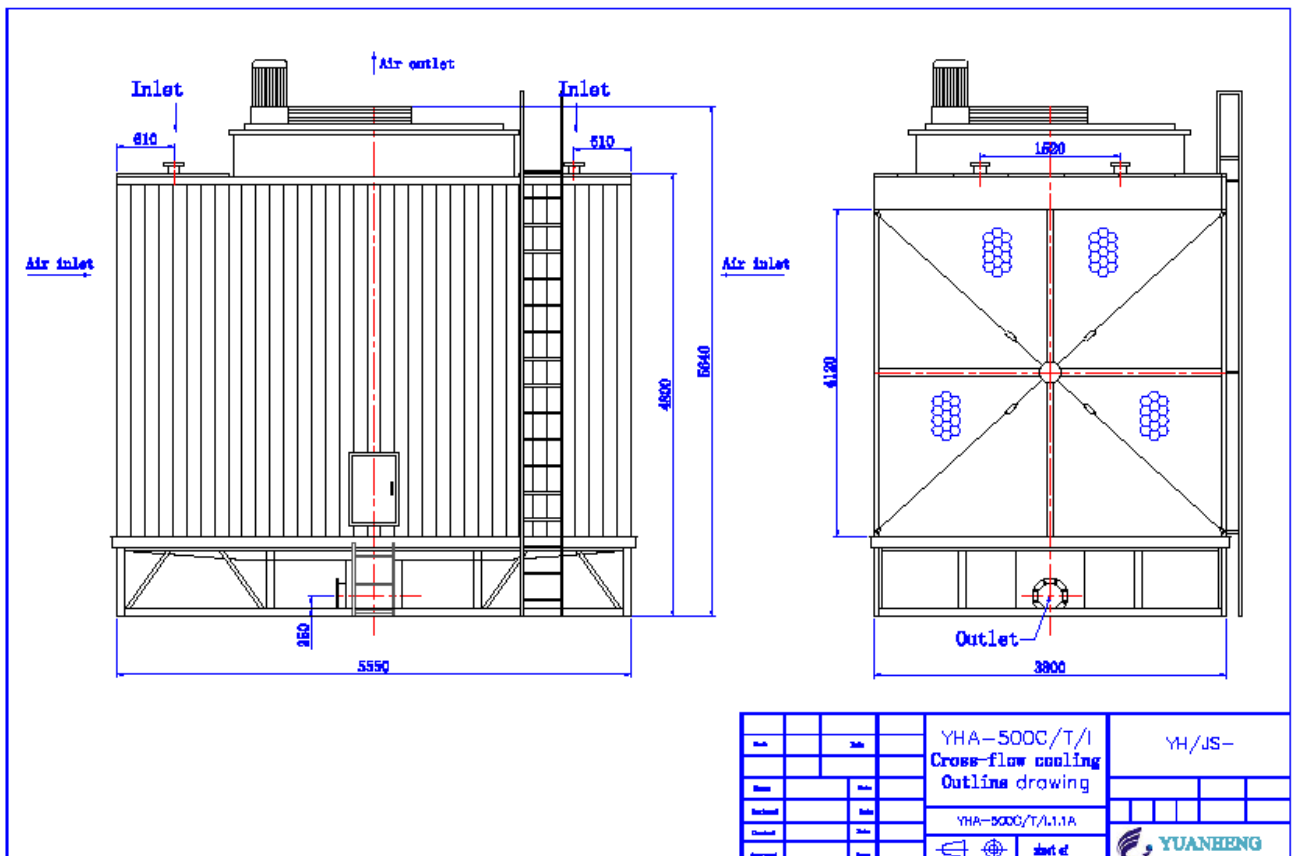
22) Model YHA-450C/T/I



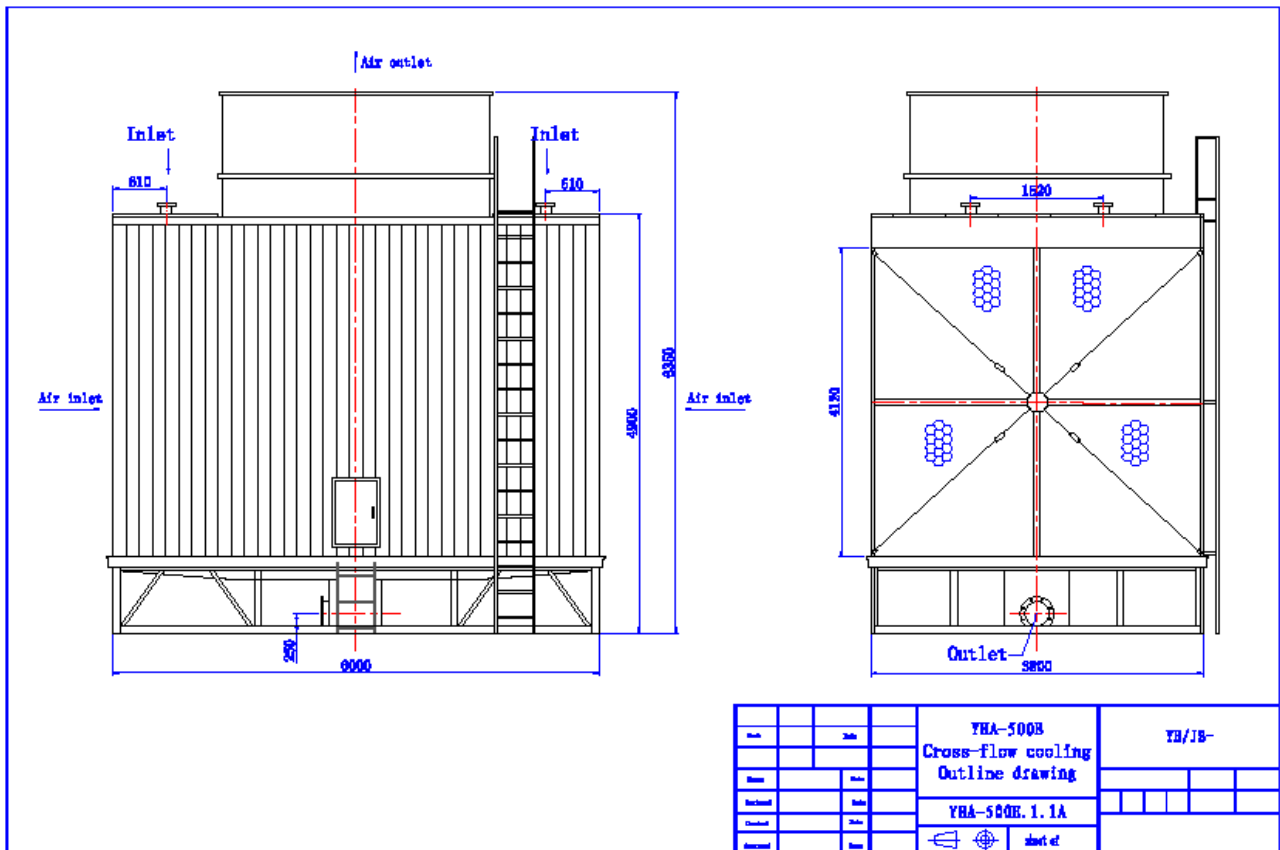
23) Model YHA-450E



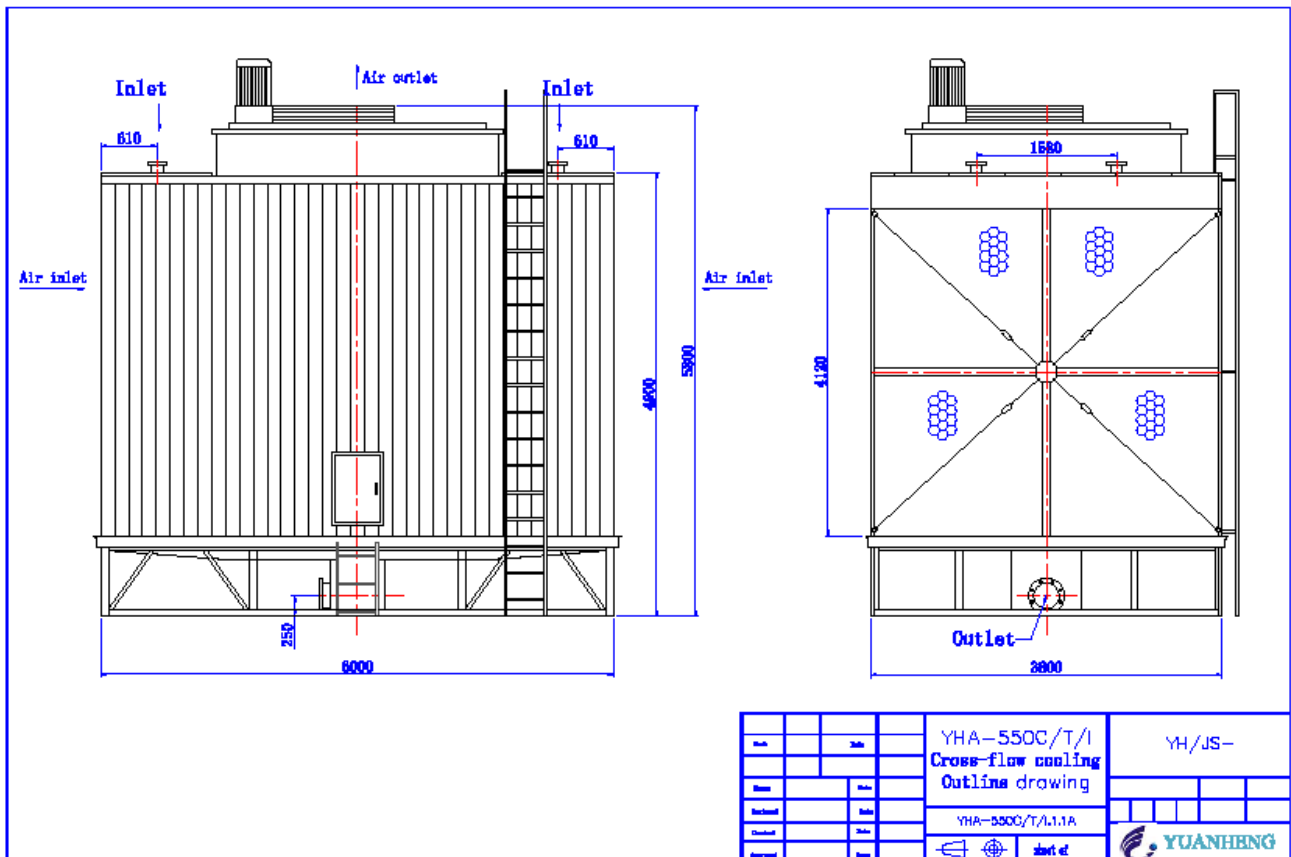
24) Model YHA-500C/T/I



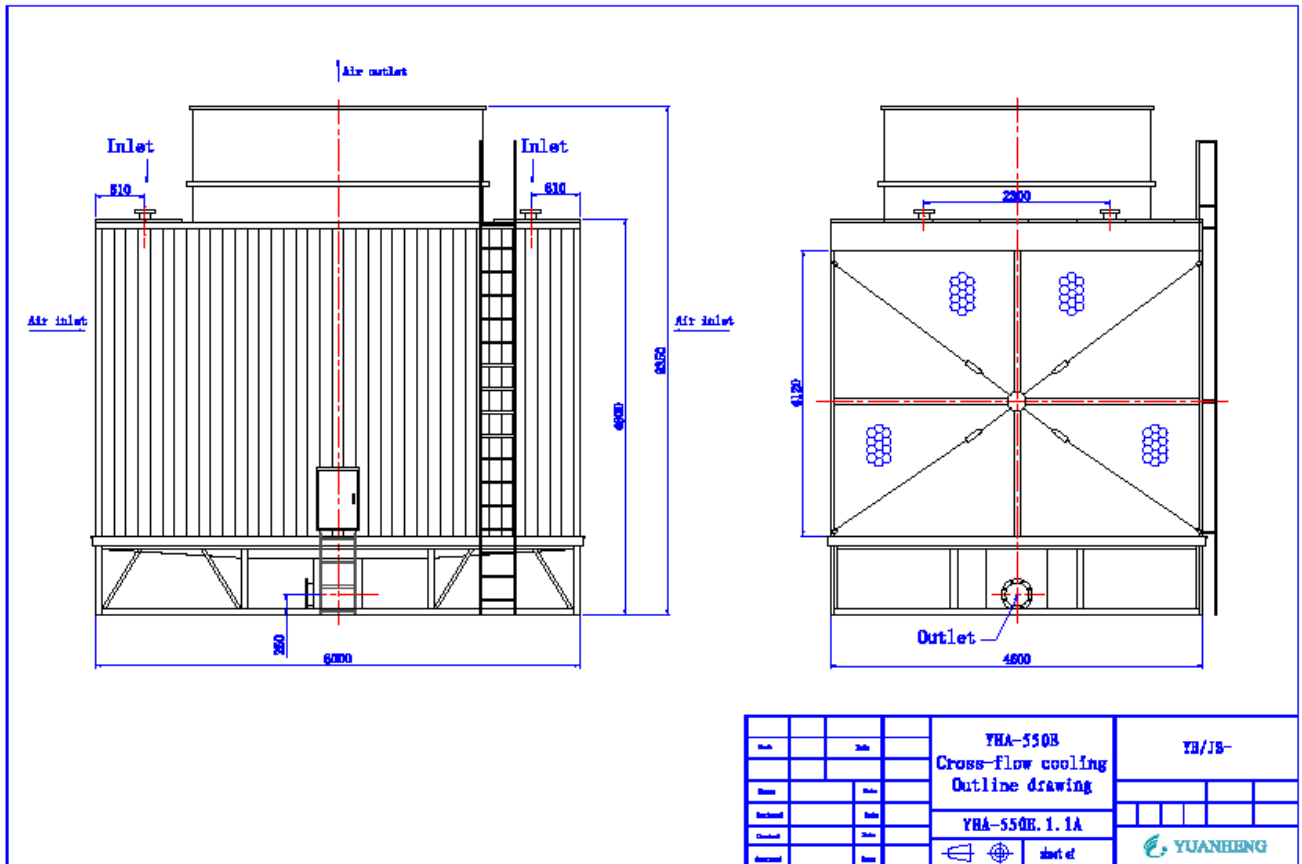
25) Model YHA-500E



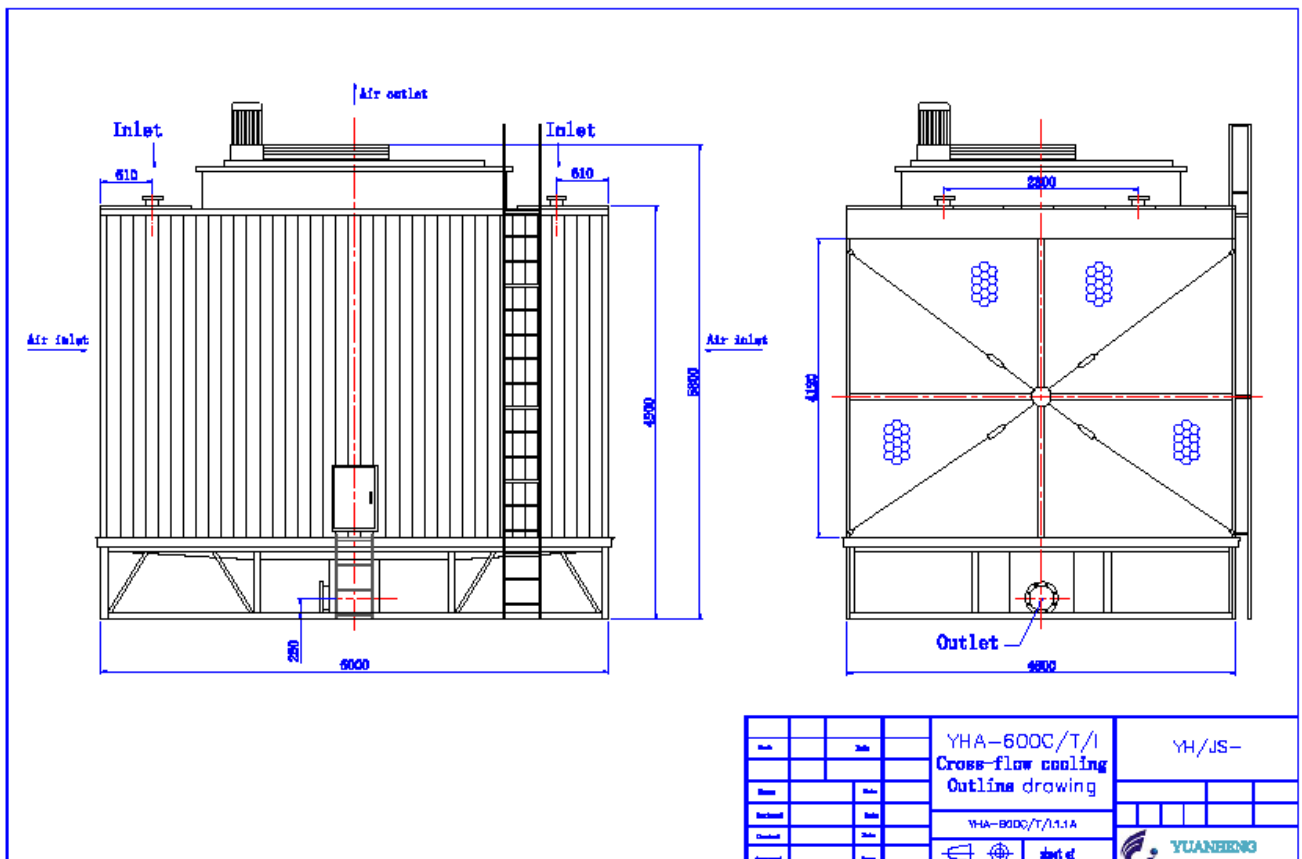
26) Model YHA-550C/T/I



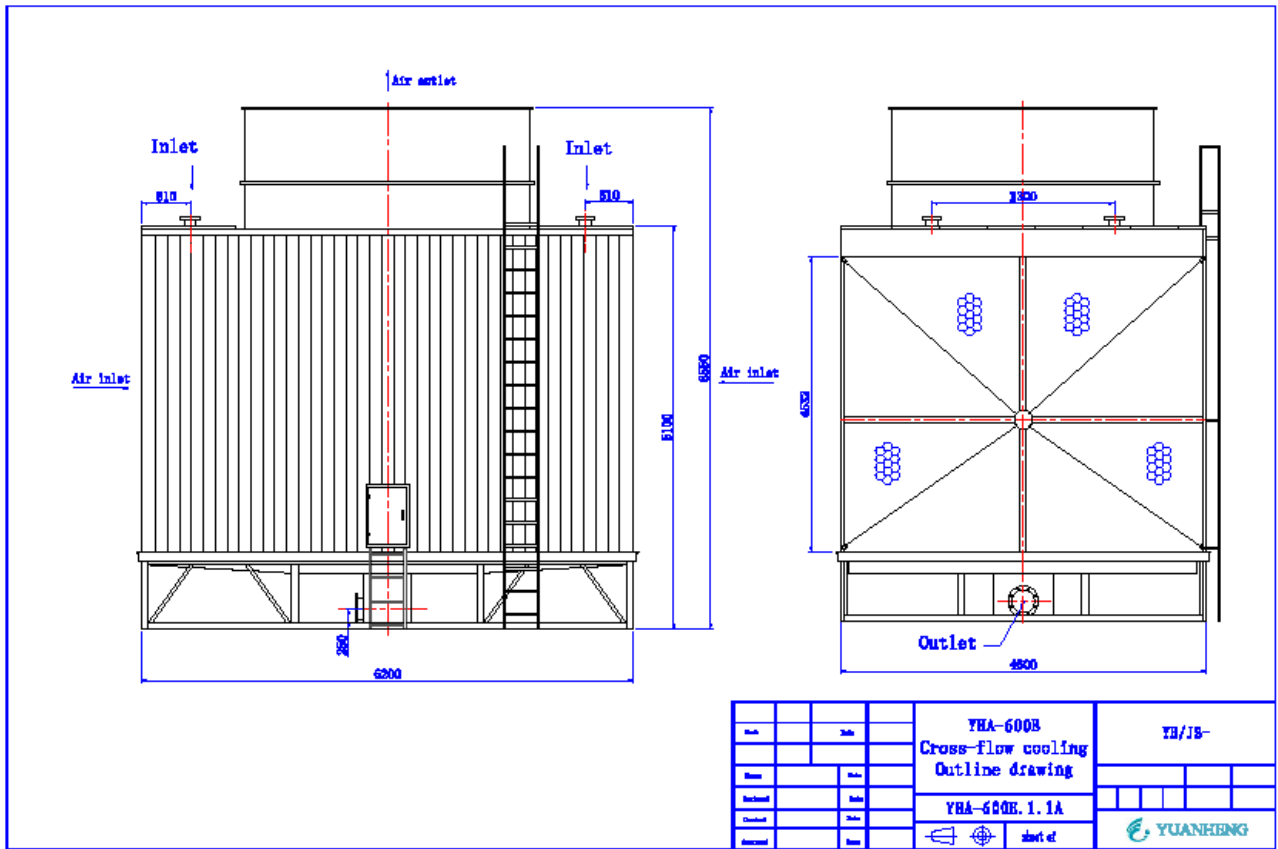
27) Model YHA-550E



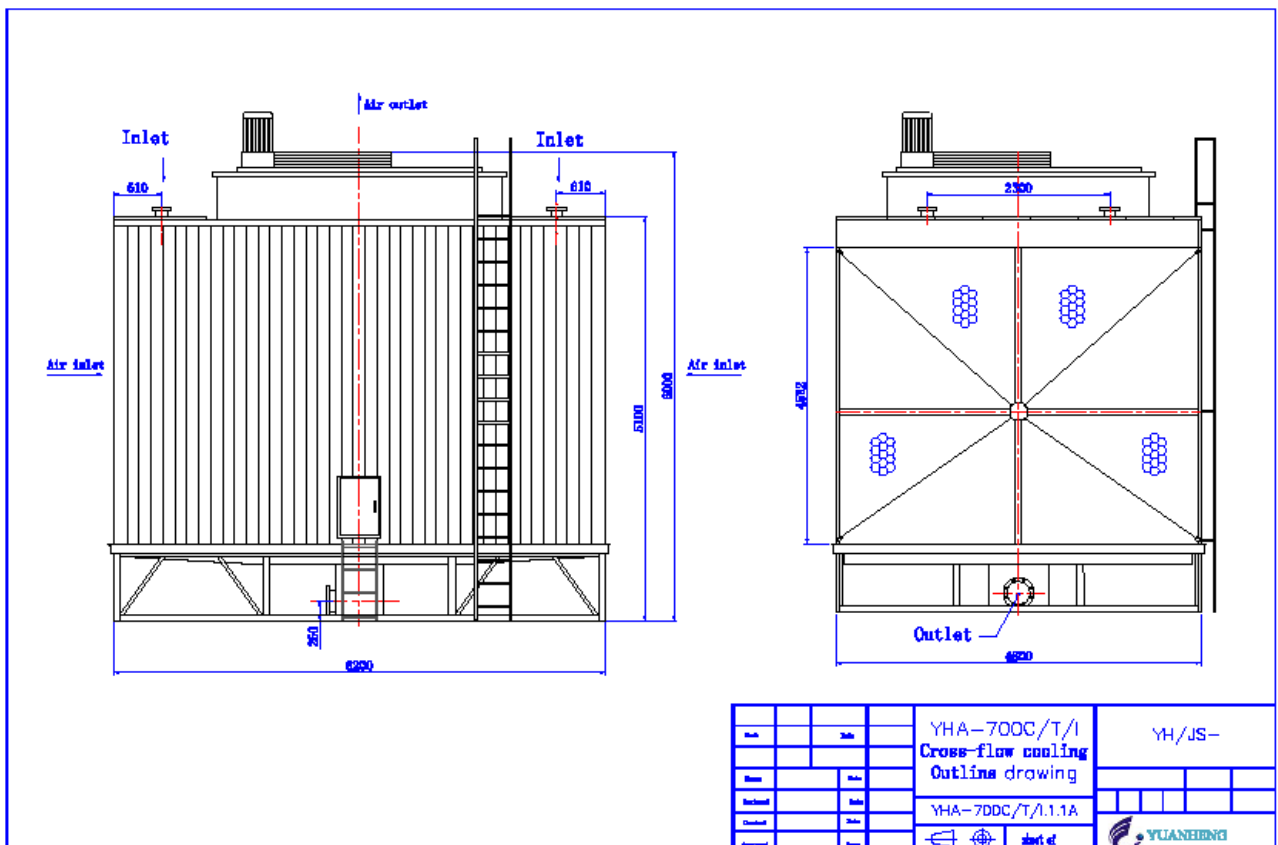
28) Model YHA-600C/T/I



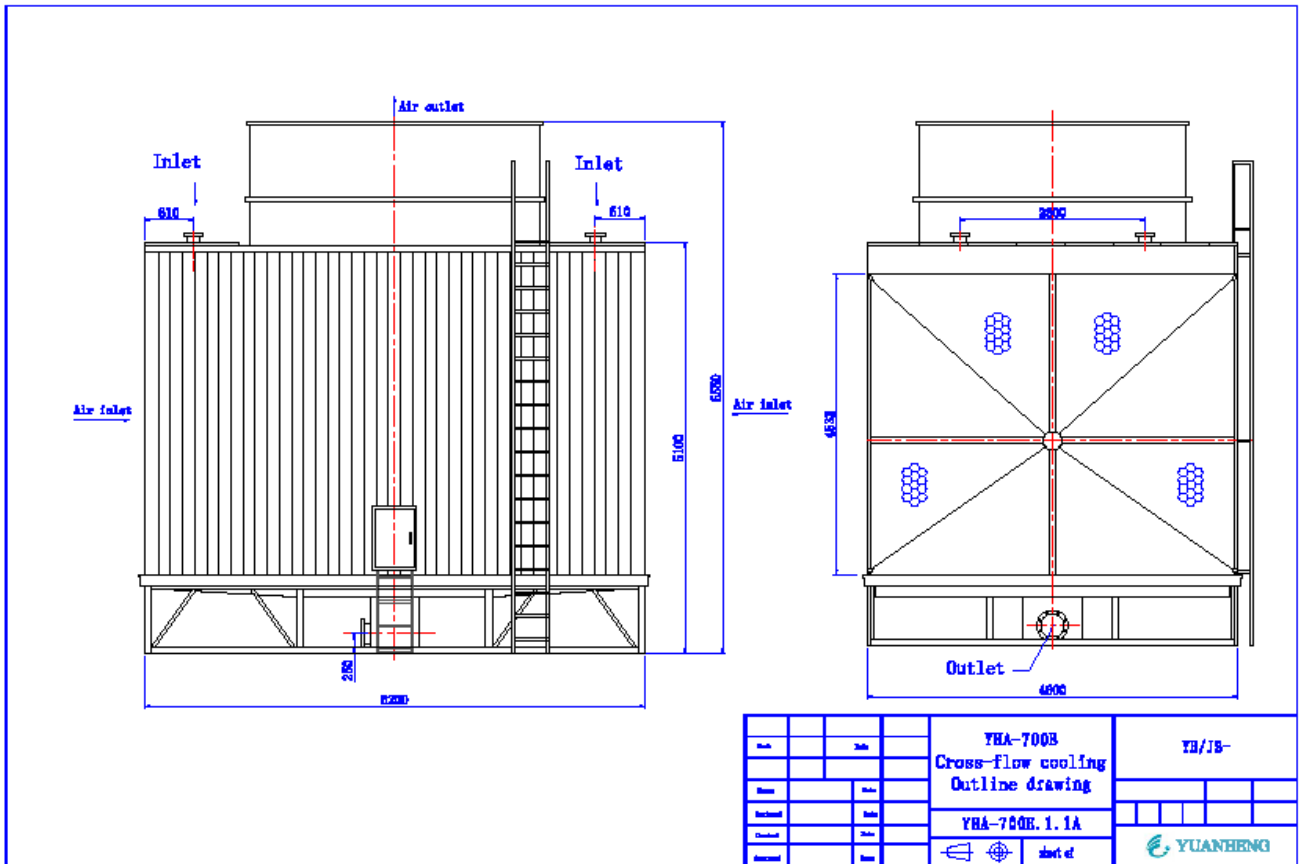
29) Model YHA-600E



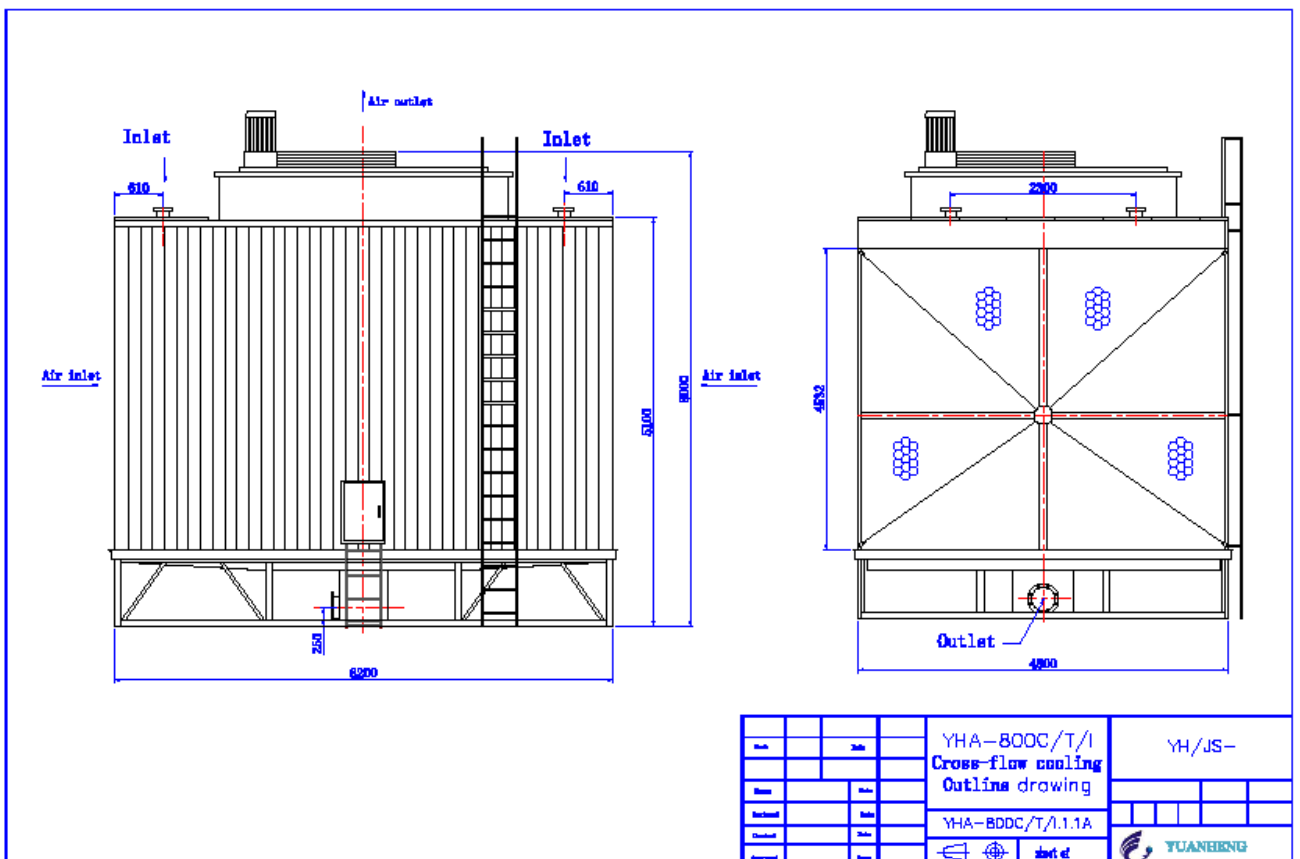
30) Model YHA-700C/T/I



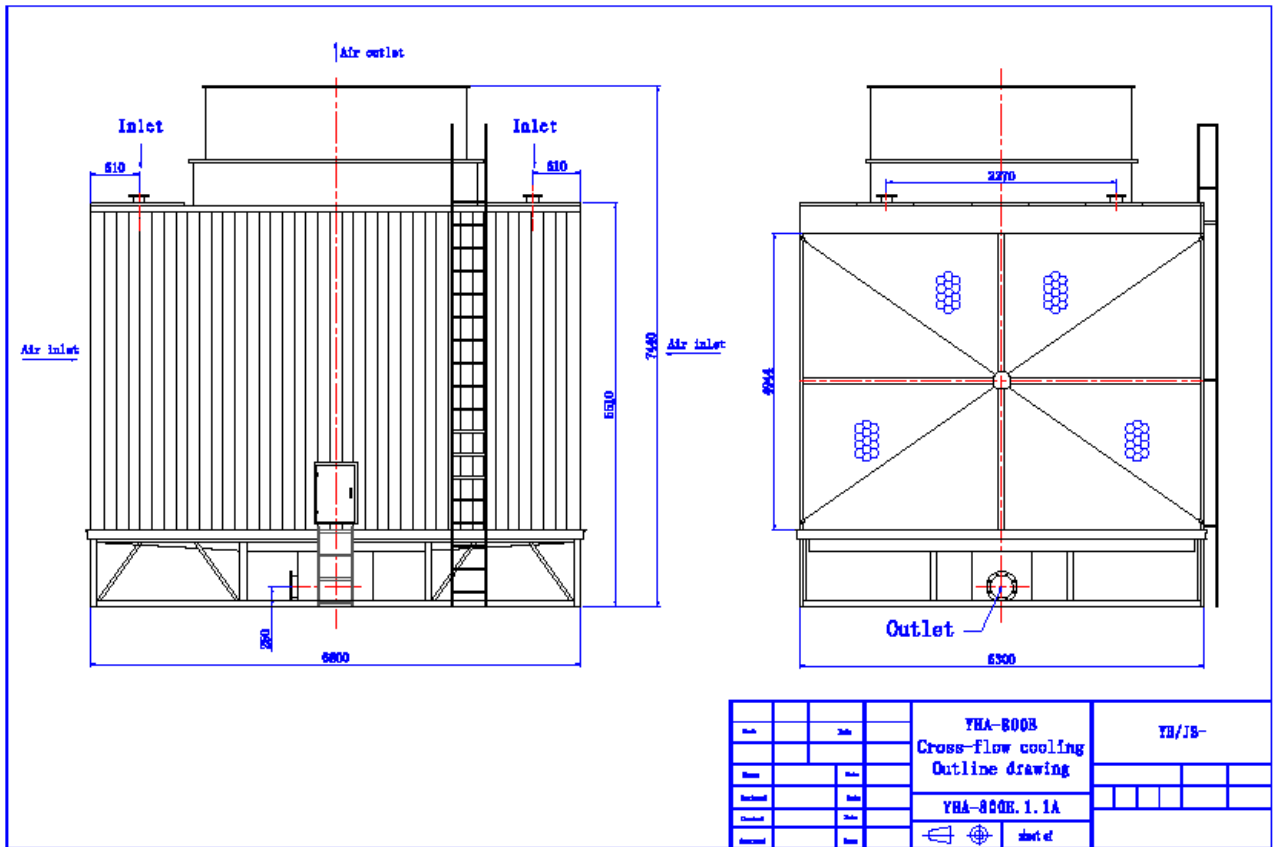
31) Model YHA-700E



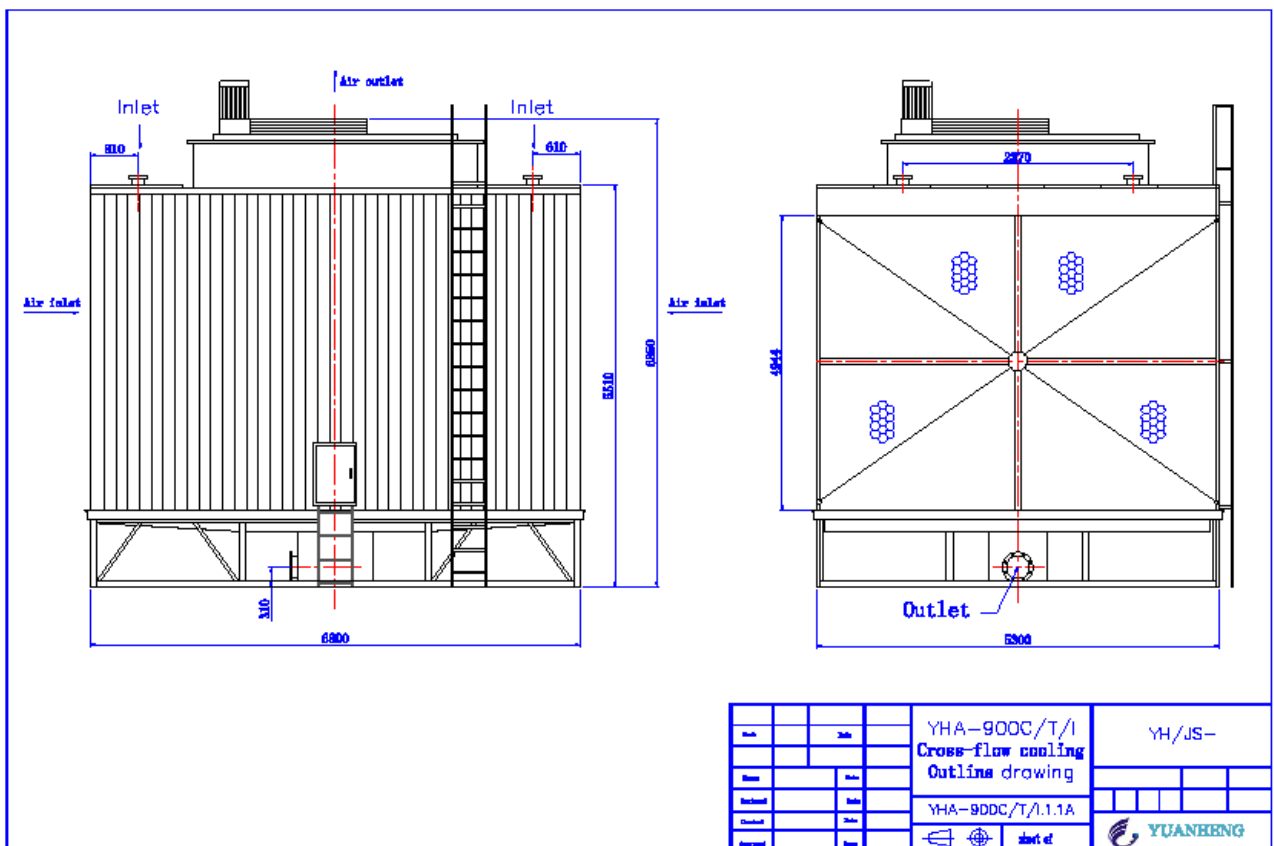
32) Model YHA-800C/T/I



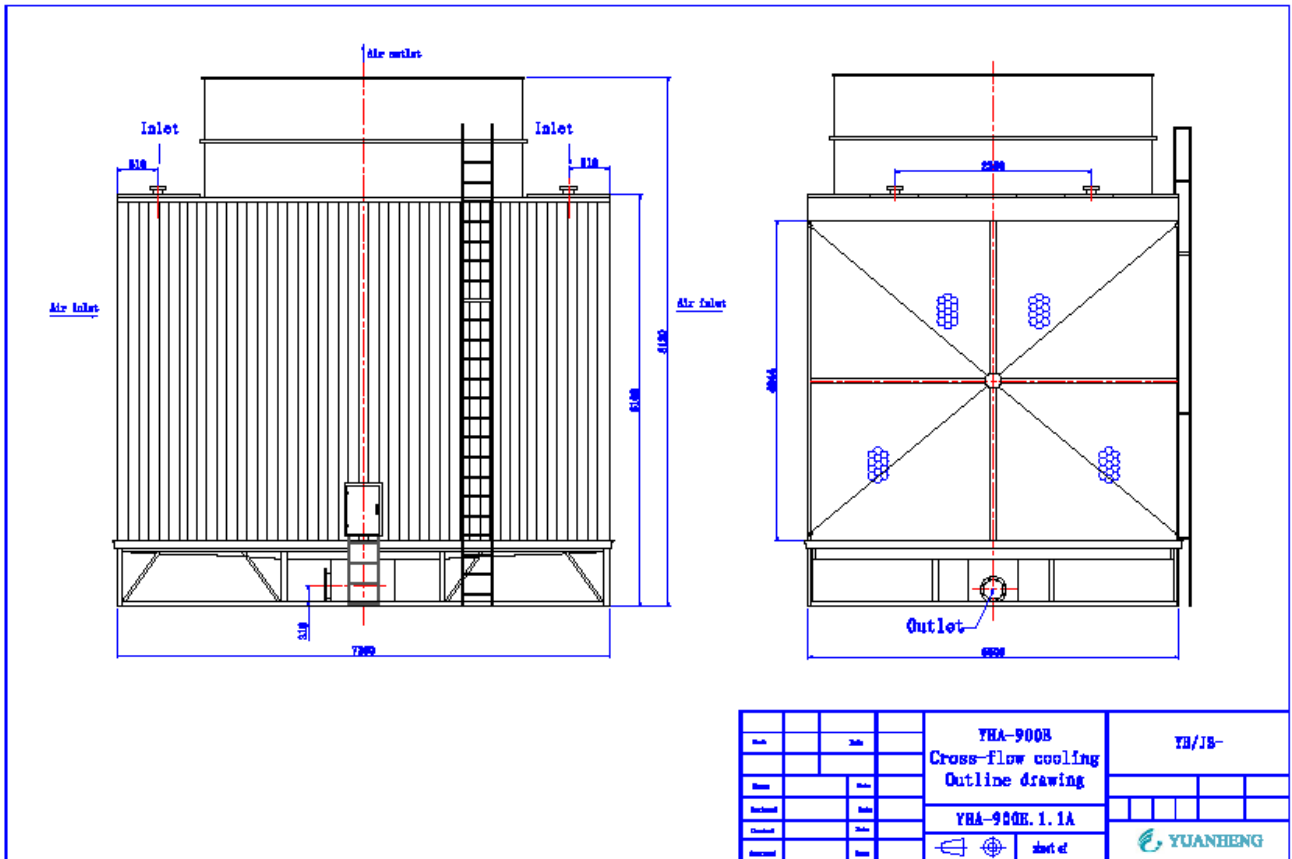
33) Model YHA-800E



34) Model YHA-900C/T/I



35) Model YHA-900E



36) Model YHA-1000C/T/I

