

Yantai Ebara Air Conditioning Equipment Co.Ltd

No.720, Yongda Road, Fushan High-tech Industrial Zone, Yantai, Shandong Province, China

TEL: +86-0535-6988668

FAX: +86-0535-6325372

URL: <http://www.ytebara.com.cn/>

MAIL: market@ytebara.com.cn



CDW-C Cross-Flow Induced-draft Cooling Tower

Design Information





I. Outline of models

(Opened type, Cross Flow, and induced draft)

Models	Cooling capacity (37-32-28 °C)	Inlet and outlet pipe Diameter of host machine	Water rate (m ³ /h)	Fan		Outline dimension			Weight of host machine (kg)	Operating weight (kg)
				Power (KW)	Diameter (mm)	Length mm	Width mm	Height mm		
CDW-100ASY-C*1	500000Kcal/h	DN100×2 DN125×1	100	5.5	1500	3770	1750	2770	900	2510
CDW-100ASSY-C*1	500000Kcal/h	DN100×2 DN125×1	100	5.5	1500	3770	1750	2770	920	2530
CDW-125ASY-C*1	625000Kcal/h	DN100×2 DN125×1	125	5.5	1500	3770	1950	2770	930	2540
CDW-125ASSY-C*1	625000Kcal/h	DN100×2 DN125×1	125	5.5	1500	3770	1950	2770	950	2560
CDW-135ASY-C*1	675000Kcal/h	DN100×2 DN125×1	135	5.5	1800	4070	2150	2770	1010	2920
CDW-135ASSY-C*1	675000Kcal/h	DN100×2 DN150×1	135	5.5	1800	4070	2150	2770	1030	2940
CDW-150ASY-C*1	750000Kcal/h	DN100×2 DN150×1	150	7.5	1800	4070	2150	2770	1030	2950
CDW-150ASSY-C*1	750000Kcal/h	DN100×2 DN150×1	150	7.5	1800	4070	2150	2770	1050	2970
CDW-175ASY-C*1	875000Kcal/h	DN100×2 DN150×1	175	7.5	2100	4370	2350	2770	1160	3270



CDW-175ASSY-C*1	875000Kcal/h	DN100×2 DN150×1	175	7.5	2100	4370	2350	2770	1180	3290
CDW-200ASY-C*1	1000000Kcal/h	DN100×2 DN150×1	200	11	2100	4370	2450	2770	1200	3350
CDW-200ASSY-C*1	1000000Kcal/h	DN100×2 DN150×1	200	11	2100	4370	2450	2770	1220	3370
CDW-250ASY-C*1	1250000Kcal/h	DN125×2 DN200×1	250	15	2200	4370	2450	3925	1440	3820
CDW-250ASSY-C*1	1250000Kcal/h	DN125×2 DN200×1	250	15	2200	4370	2450	3925	1460	3840
CDW-300ASY-C*1	1500000Kcal/h	DN150×2 DN200×1	300	11	2600	5570	3100	3875	2450	6840
CDW-350ASY-C*1	1750000Kcal/h	DN125×4 DN250×1	350	11	3000	5870	3800	3875	2790	6990
CDW-400ASY-C*1	2000000Kcal/h	DN125×4 DN250×1	400	15	3000	5870	3800	3875	2860	7060
CDW-450ASY-C*1	2250000Kcal/h	DN125×4 DN250×1	450	15	3500	6470	4600	3875	3180	9220
CDW-500ASY-C*1	2500000Kcal/h	DN125×4 DN250×1	500	18.5	3500	6470	4600	3875	3320	11440
CDW-550ASY-C*1	2750000Kcal/h	DN150×4 DN300×1	550	18.5	3500	6470	4600	4425	3590	11700
CDW-600ASY-C*1	3000000Kcal/h	DN150×4 DN300×1	600	22	3500	6470	4600	4425	3680	12240
CDW-650ASY-C*1	3250000Kcal/h	DN150×4 DN300×1	650	22	4000	6870	5400	4425	4170	13100
CDW-700ASY-C*1	3500000Kcal/h	DN150×4 DN300×1	700	30	4000	6870	5400	4425	4360	14240



CDW-750ASY-C*1	3750000Kcal/h	DN150×4 DN350×1	750	30	4000	6870	5800	4425	5320	15370
CDW-800ASY-C*1	4000000Kcal/h	DN150×4 DN350×1	800	37	4000	6870	5800	4425	5460	16580

* Significance of the model names:

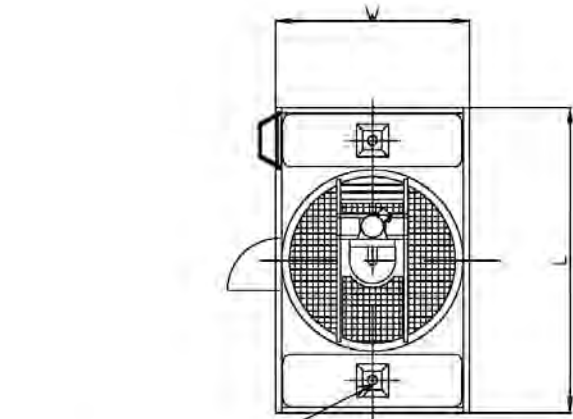
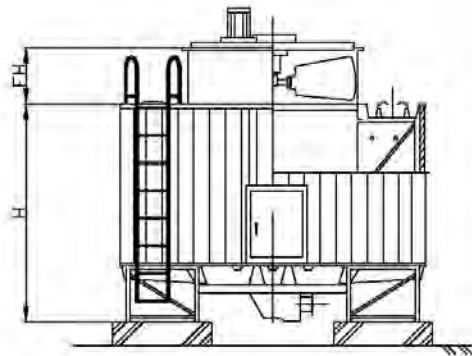
CDW	-	200	AS	Y	-	C	*	1
Rectangular, Cross-flow		Cooling water flow	Low noise	Outside tubing		CTI Certified		Number of Cells
CDW	-	200	ASS	Y	-	C	*	1
Rectangular, Cross-flow		Cooling water flow	Super low noise	Outside tubing		CTI Certified		Number of Cells



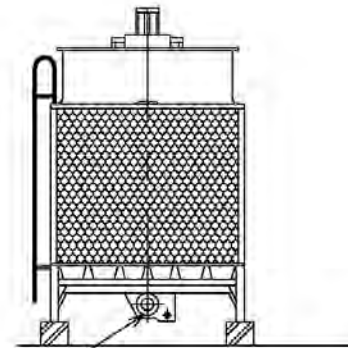
II. Drawings:

1) Model

CDW-	L	W	H	FH	DN1	DN2
100ASY-C*1	3770	1750	2770	615	100X2	125X1
100ASSY-C*1	3770	1750	2770	615	100X2	125X1
125ASY-C*1	3770	1950	2770	615	100X2	125X1
125ASSY-C*1	3770	1950	2770	615	100X2	125X1
135ASY-C*1	4070	2150	2770	645	100X2	150X1
135ASSY-C*1	4070	2150	2770	645	100X2	150X1
150ASY-C*1	4070	2150	2770	645	100X2	150X1
150ASSY-C*1	4070	2150	2770 <td 645	100X2	150X1	
175ASY-C*1	4370	2350	2770	715	100X2	150X1
175ASSY-C*1	4370	2350	2770	715	100X2	150X1
200ASY-C*1	4370	2450	2770	715	100X2	150X1
200ASSY-C*1	4370	2450	2770	715	100X2	150X1
250ASY-C*1	4370	2450	3925	715	125X2	200X1
250ASSY-C*1	4370	2450	3925	715	125X2	200X1



DN1
进水口

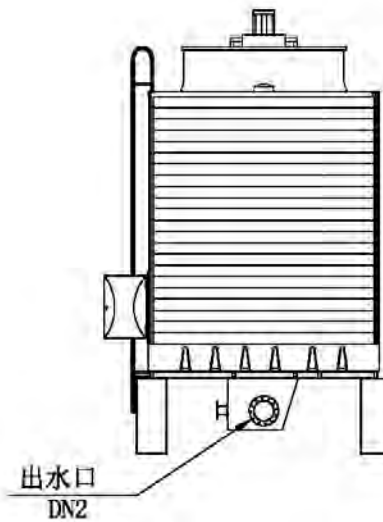
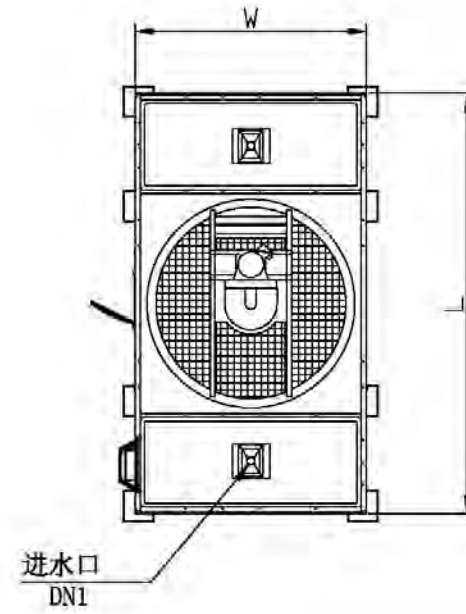
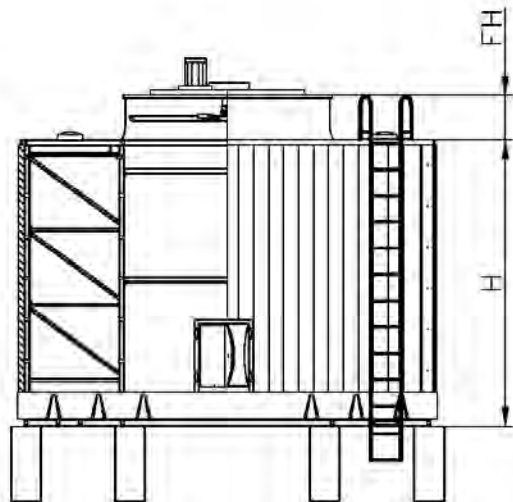


DN2
出水口



2) Model

CDW-	L	W	H	FH	DN1	DN2
300ASY-C*1	5610	3100	3875	600	150X2	200X1



3) Model

CDW-	L	W	H	FH	DN1	DN2
350ASY-C#1	5870	3800	3875	600	125X4	250X1
400ASY-C#1	5870	3800	3875	600	125X4	250X1
450ASY-C#1	6470	4600	3875	600	125X4	250X1
500ASY-C#1	6470	4600	3875	600	125X4	250X1
550ASY-C#1	6470	4600	4425	600	150X4	300X1
600ASY-C#1	6470	4600	4425	600	150X4	300X1
650ASY-C#1	6870	5400	4425	600	150X4	300X1
700ASY-C#1	6870	5400	4425	600	150X4	300X1
750ASY-C#1	6870	5800	4425	600	150X4	350X1
800ASY-C#1	6870	5800	4425	600	150X4	350X1

