

Shanghai LiangChi Cooling Equipment Co., Ltd

Chexin Road No.507, Che Dun Town , Songjiang District of shanghai, China

TEL: 021-57609600

FAX: 021-57609588

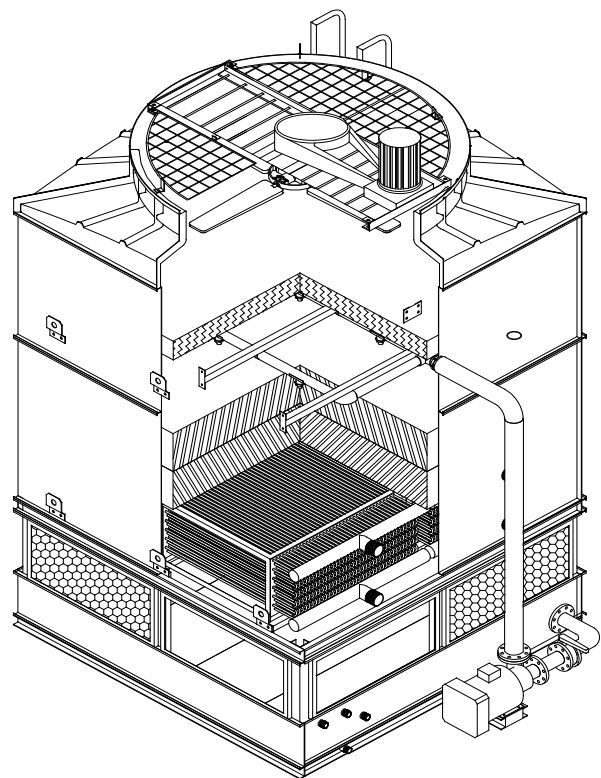
URL: [Http://www.liangchi.com.cn](http://www.liangchi.com.cn)

MAIL: lcjsb@liangchi.com.cn



LNCM- Counter Flow, Induced Draft, Closed Cooling Tower

Design Information





I. Outline of models

(Closed type, Counter-flow, and induced-draft)

Tower Model	Water Flow (m ³ /h)	Dimensions(mm)					Fan Assembly				Cooling capacity (37-32-28 °C) Kcal/h
		Width	Length	Height			Motor			Fan Dia D (mm)	
LNCM-		W	L	h ₁	h ₂	H	Kw	Hp	Num/Set		
10	10	1080	1080	2218	522	2740	0.75	1	1	770	50000 Kcal/h
15	15	1280	1280	2848	652	3500	1.1	1.5	1	970	75000 Kcal/h
20	20	1580	1580	2656	774	3430	1.5	2	1	1170	100000 Kcal/h
30	30	1880	1880	3028	812	3840	2.2	3	1	1470	150000 Kcal/h
40	40	2080	2080	3028	932	3960	3.7	5	1	1750	200000 Kcal/h
50	50	2480	2480	3402	1298	4700	5.5	7.5	1	1980	250000 Kcal/h
65	65	2480	2480	3402	1298	4700	7.5	10	1	1980	325000 Kcal/h
80	80	3080	3080	3502	1398	4900	7.5	10	1	2350	400000 Kcal/h
100	100	3080	3080	3502	1398	4900	7.5	10	1	2350	500000 Kcal/h
125	125	3480	3480	3622	1628	5250	11	15	1	2970	625000 Kcal/h
150	150	3680	3680	3622	1738	5360	11	15	1	2970	750000 Kcal/h
175	175	3680	3680	3622	1848	5470	15	20	1	3380	875000 Kcal/h



Tower Model	Connecting Pipe Dimension (mm)						Dry Wt. (Kg)	Operating Wt (Kg)	Tower Head (m)
	Inlet	Outlet	Drain	Over flow	Filler				
	I	C	D	O	Auto(A)	Quick(M)			
10	DN50	DN50	DN25	DN50	DN25	DN25	480	1130	7
15	DN50	DN50	DN25	DN50	DN25	DN25	670	1380	7
20	DN50	DN50	DN25	DN50	DN25	DN25	880	1830	7
30	DN50 x2	DN50 x2	DN25	DN50	DN25	DN25	1200	2700	9.5
40	DN50 x2	DN50 x2	DN25	DN50	DN25	DN25	1500	3100	9.5
50	DN80 x2	DN80 x2	DN50	DN50	DN25	DN25	1860	4370	9.5
65	DN80 x2	DN80 x2	DN50	DN50	DN25	DN25	2100	4500	11.5
80	DN80 x2	DN80 x2	DN50	DN50	DN25	DN25	2700	6180	12
100	DN80 x2	DN80 x2	DN50	DN50	DN25	DN25	2910	6400	22
125	DN100 x2	DN100 x2	DN50	DN50	DN25	DN25	3900	8400	22
150	DN80 x3	DN80 x3	DN50	DN50	DN25	DN25	4200	9520	27
175	DN80 x3	DN80 x3	DN50	DN50	DN25	DN25	4400	10300	27.5

* Significance of the model names:

LNCM	-	50
Rectangular, Counter-flow,Closed type		Cooling water flow

II. Drawings:

(1) Model: LNCM--10-175

