

Shanghai LiangChi Cooling Equipment Co., Ltd

Chexin Road No.507, Che Dun Town , Songjiang District of shanghai, China

TEL: 021-57609600

FAX: 021-57609588

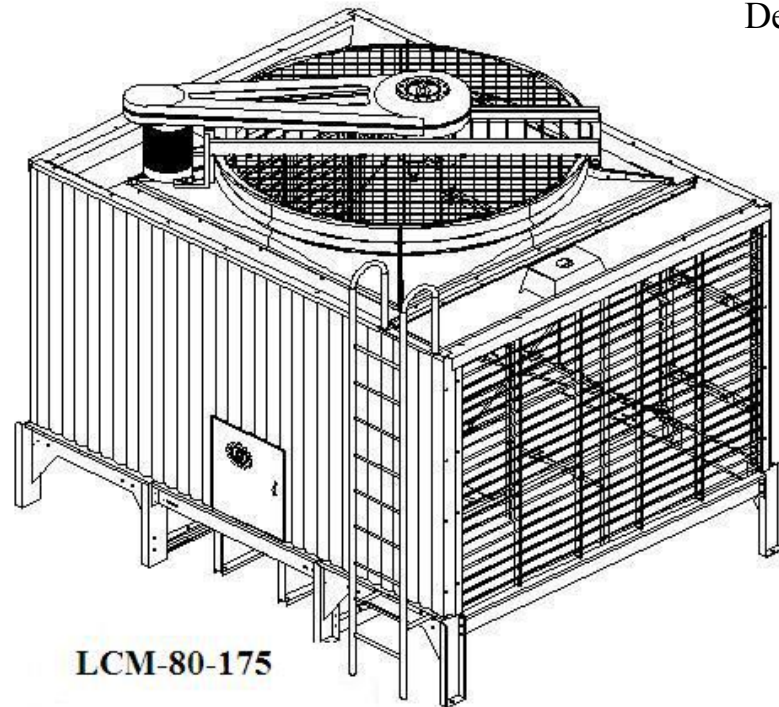
URL: [Http://www.liangchi.com.cn](http://www.liangchi.com.cn)

MAIL: lcjsb@liangchi.com.cn

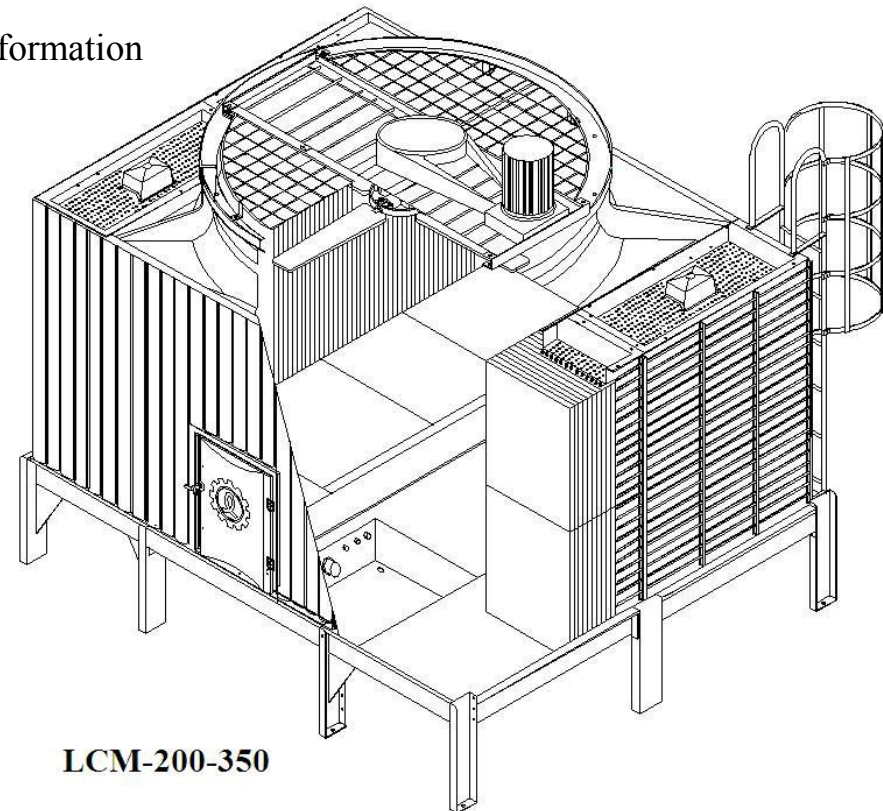


LCM Cross Flow Induced Draft Cooling Tower

Design Information



LCM-80-175



LCM-200-350

Selection Tables

Wet Bulb Tem. °C	14°C																					
Range °C	4				5					6					7				8			
Approach °C	4	5	6	7	3	4	5	6	7	3	4	5	6	7	4	5	6	7	4	5	6	7
Inlet water tem. °C	22	23	24	25	22	23	24	25	26	23	24	25	26	27	25	26	27	28	26	27	28	29
Outlet water tem. °C	18	19	20	21	17	18	19	20	21	17	18	19	20	21	18	19	20	21	18	19	20	21
LCM-80	47.0	57.2	67.9	79.2	32.2	40.4	48.8	57.6	66.8	29.0	35.9	43.2	50.7	58.6	32.8	39.2	45.8	52.7	30.4	36.2	42.1	48.4
LCM-100	58.7	71.5	84.9	99.0	40.3	50.4	61.0	72.0	83.5	36.2	44.9	53.9	63.4	73.2	41.0	48.9	57.2	65.9	38.0	45.2	52.7	60.4
LCM-125	73.4	89.4	106.1	123.7	50.4	63.1	76.2	89.9	104.3	45.2	56.2	67.4	79.2	91.5	51.2	61.2	71.5	82.4	47.5	56.5	65.8	75.6
LCM-150	88.1	107.3	127.4	148.5	60.5	75.7	91.4	107.9	125.2	54.3	67.4	80.9	95.0	109.8	61.5	73.4	85.8	98.8	57.0	67.8	79.0	90.7
LCM-175	102.7	125.2	148.6	173.2	70.5	88.3	106.7	125.9	146.1	63.3	78.6	94.4	110.9	128.1	71.7	85.7	100.2	115.3	66.5	79.1	92.1	105.8
LCM-200	117.4	143.0	169.8	197.9	80.6	100.9	121.9	143.9	166.9	72.4	89.9	107.9	126.7	146.4	82.0	97.9	114.5	131.8	76.0	90.4	105.3	120.9
LCM-225	132.1	160.9	191.1	222.7	90.7	113.5	137.2	161.9	187.8	81.4	101.1	121.4	142.5	164.7	92.2	110.1	128.8	148.3	85.5	101.7	118.5	136.0
LCM-250	146.8	178.8	212.3	247.4	100.8	126.1	152.4	179.9	208.7	90.5	112.3	134.9	158.4	183.0	102.4	122.4	143.1	164.7	95.0	113.0	131.6	151.1
LCM-300	176.1	214.5	254.7	296.9	120.9	151.3	182.9	215.9	250.4	108.6	134.8	161.8	190.1	219.6	122.9	146.8	171.7	197.7	114.0	135.6	158.0	181.3
LCM-350	205.5	250.3	297.2	346.4	141.1	176.6	213.4	251.8	292.1	126.7	157.2	188.8	221.7	256.2	143.4	171.3	200.3	230.6	133.0	158.2	184.3	211.6

Wet Bulb Tem. °C	16°C																					
Range °C	4				5					6					7				8			
Approach °C	4	5	6	7	3	4	5	6	7	3	4	5	6	7	4	5	6	7	4	5	6	7
Inlet water tem. °C	24	25	26	27	24	25	26	27	28	25	26	27	28	29	27	28	29	30	28	29	30	31
Outlet water tem. °C	20	21	22	23	19	20	21	22	23	19	20	21	22	23	20	21	22	23	20	21	22	23
LCM-80	51.5	62.7	74.5	86.8	35.5	44.4	53.5	63.1	73.3	31.8	39.5	47.4	55.7	64.4	36.1	43.1	50.3	58.0	33.4	39.7	46.3	53.1
LCM-100	64.4	78.4	93.1	108.5	44.3	55.5	66.9	78.9	91.6	39.7	49.4	59.2	69.6	80.5	45.1	53.8	62.9	72.4	41.7	49.6	57.9	66.4
LCM-125	80.5	98.0	116.4	135.6	55.4	69.3	83.7	98.6	114.5	49.7	61.7	74.1	87.0	100.6	56.4	67.3	78.6	90.6	52.2	62.0	72.3	83.0
LCM-150	96.6	117.6	139.7	162.7	66.5	83.2	100.4	118.3	137.4	59.6	74.1	88.9	104.4	120.7	67.7	80.8	94.4	108.7	62.6	74.4	86.8	99.6
LCM-175	112.7	137.2	162.9	189.9	77.6	97.0	117.1	138.0	160.3	69.5	86.4	103.7	121.8	140.8	79.0	94.2	110.1	126.8	73.0	86.9	101.2	116.3

LCM-200	128.8	156.8	186.2	217.0	88.6	110.9	133.9	157.7	183.2	79.4	98.7	118.5	139.2	161.0	90.2	107.7	125.8	144.9	83.4	99.3	115.7	132.9
LCM-225	144.9	176.4	209.5	244.1	99.7	124.8	150.6	177.5	206.1	89.4	111.1	133.3	156.5	181.1	101.5	121.2	141.6	163.0	93.9	111.7	130.2	149.5
LCM-250	161.0	196.0	232.8	271.2	110.8	138.6	167.3	197.2	229.0	99.3	123.4	148.1	173.9	201.2	112.8	134.6	157.3	181.1	104.3	124.1	144.6	166.1
LCM-300	193.2	235.2	279.3	325.5	133.0	166.4	200.8	236.6	274.9	119.2	148.1	177.7	208.7	241.4	135.4	161.5	188.7	217.3	125.2	148.9	173.6	199.3
LCM-350	225.4	274.5	325.9	379.7	155.1	194.1	234.3	276.1	320.7	139.0	172.8	207.3	243.5	281.7	157.9	188.5	220.2	253.6	146.0	173.7	202.5	232.5

Wet Bulb Tem. °C	18°C																					
Range°C	4				5					6					7				8			
Approach °C	4	5	6	7	3	4	5	6	7	3	4	5	6	7	4	5	6	7	4	5	6	7
Inlet water tem. °C	26	27	28	29	26	27	28	29	30	27	28	29	30	31	29	30	31	32	30	31	32	33
Outlet water tem. °C	22	23	24	25	21	22	23	24	25	21	22	23	24	25	22	23	24	25	22	23	24	25
LCM-80	56.6	68.8	81.7	95.3	38.9	48.7	58.8	69.4	80.6	35.0	43.4	52.2	61.2	70.8	39.6	47.4	55.4	63.7	36.7	43.7	51.0	58.5
LCM-100	70.7	86.0	102.2	119.2	48.6	60.8	73.5	86.8	100.7	43.7	54.3	65.2	76.5	88.5	49.5	59.2	69.2	79.7	45.9	54.6	63.7	73.2
LCM-125	88.4	107.5	127.7	149.0	60.7	76.1	91.8	108.5	125.9	54.7	67.9	81.5	95.6	110.6	61.9	74.1	86.5	99.6	57.4	68.3	79.6	91.5
LCM-150	106.1	129.0	153.3	178.8	72.8	91.3	110.2	130.2	151.0	65.6	81.5	97.8	114.7	132.8	74.2	88.9	103.8	119.5	68.9	82.0	95.5	109.8
LCM-175	123.8	150.5	178.8	208.6	85.0	106.5	128.6	151.9	176.2	76.5	95.0	114.1	133.8	154.9	86.6	103.7	121.2	139.4	80.4	95.6	111.5	128.0
LCM-200	141.4	172.0	204.4	238.3	97.1	121.7	147.0	173.6	201.4	87.5	108.6	130.4	152.9	177.0	99.0	118.5	138.5	159.4	91.8	109.3	127.4	146.3
LCM-225	159.1	193.5	229.9	268.1	109.3	136.9	165.3	195.3	226.5	98.4	122.2	146.7	172.0	199.2	111.3	133.3	155.8	179.3	103.3	122.9	143.3	164.6
LCM-250	176.8	215.0	255.5	297.9	121.4	152.1	183.7	217.0	251.7	109.4	135.8	163.0	191.2	221.3	123.7	148.1	173.1	199.2	114.8	136.6	159.2	182.9
LCM-300	212.2	258.0	306.5	357.5	145.7	182.5	220.4	260.4	302.1	131.2	162.9	195.6	229.4	265.6	148.5	177.7	207.7	239.0	137.8	163.9	191.1	219.5
LCM-350	247.5	301.0	357.6	417.1	170.0	213.0	257.2	303.8	352.4	153.1	190.1	228.2	267.6	309.8	173.2	207.3	242.3	278.9	160.7	191.2	222.9	256.1

Wet Bulb Tem. °C	20°C																					
Range°C	4				5					6					7				8			
Approach °C	4	5	6	7	4	5	6	7	8	4	5	6	7	8	4	5	6	7	4	5	6	7
Inlet water tem. °C	28	29	30	31	29	30	31	32	33	30	31	32	33	34	31	32	33	34	32	33	34	35
Outlet water tem. °C	24	25	26	27	24	25	26	27	28	24	25	26	27	28	24	25	26	27	24	25	26	27



LCM-80	62.2	75.7	89.9	105.0	53.5	64.8	76.4	88.7	101.6	47.9	57.4	67.4	78.0	89.0	43.7	52.2	61.1	70.4	40.5	48.2	56.2	64.6
LCM-100	77.7	94.6	112.4	131.2	66.9	80.9	95.5	110.9	127.0	59.8	71.8	84.3	97.5	111.3	54.6	65.2	76.3	87.9	50.6	60.3	70.3	80.7
LCM-125	97.2	118.3	140.5	164.0	83.7	101.2	119.4	138.6	158.7	74.8	89.7	105.3	121.8	139.1	68.3	81.5	95.4	109.9	63.3	75.3	87.8	100.9
LCM-150	116.6	141.9	168.6	196.8	100.4	121.4	143.3	166.4	190.5	89.7	107.6	126.4	146.2	166.9	82.0	97.8	114.5	131.9	76.0	90.4	105.4	121.1
LCM-175	136.0	165.6	196.7	229.6	117.1	141.6	167.2	194.1	222.2	104.7	125.6	147.5	170.6	194.7	95.6	114.1	133.6	153.9	88.6	105.5	123.0	141.3
LCM-200	155.5	189.2	224.8	262.5	133.9	161.9	191.0	221.8	254.0	119.6	143.5	168.5	194.9	222.5	109.3	130.4	152.7	175.9	101.3	120.5	140.6	161.5
LCM-225	174.9	212.9	252.9	295.3	150.6	182.1	214.9	249.5	285.7	134.6	161.5	189.6	219.3	250.3	123.0	146.7	171.8	197.9	113.9	135.6	158.1	181.7
LCM-250	194.3	236.5	281.0	328.1	167.3	202.4	238.8	277.3	317.5	149.5	179.4	210.7	243.7	278.1	136.6	163.0	190.9	219.9	126.6	150.7	175.7	201.8
LCM-300	233.2	283.8	337.2	393.7	200.8	242.8	286.6	332.7	380.9	179.4	215.3	252.8	292.4	333.8	163.9	195.6	229.0	263.8	151.9	180.8	210.8	242.2
LCM-350	272.0	331.1	393.4	459.3	234.3	283.3	334.3	388.2	444.4	209.4	251.1	294.9	341.2	389.4	191.3	228.2	267.2	307.8	177.3	210.9	246.0	282.6

Wet Bulb Tem. °C	22°C																					
Range °C	4				5					6					7				8			
Approach °C	4	5	6	7	4	5	6	7	8	4	5	6	7	8	4	5	6	7	4	5	6	7
Inlet water tem. °C	30	31	32	33	31	32	33	34	35	32	33	34	35	36	33	34	35	36	34	35	36	37
Outlet water tem. °C	26	27	28	29	26	27	28	29	30	26	27	28	29	30	26	27	28	29	26	27	28	29
LCM-80	68.5	83.5	99.1	115.6	59.1	71.4	84.3	97.9	112.1	52.7	63.4	74.5	86.1	98.3	48.2	57.6	67.4	77.7	44.8	53.4	62.2	71.5
LCM-100	85.6	104.4	123.9	144.5	73.8	89.2	105.4	122.4	140.2	65.9	79.2	93.1	107.6	122.8	60.3	72.0	84.3	97.1	56.0	66.7	77.7	89.3
LCM-125	107.1	130.5	154.9	180.7	92.3	111.5	131.7	153.0	175.2	82.4	99.0	116.4	134.5	153.6	75.3	90.0	105.3	121.4	70.0	83.4	97.2	111.7
LCM-150	128.5	156.5	185.8	216.8	110.7	133.8	158.1	183.6	210.3	98.9	118.8	139.7	161.4	184.3	90.4	108.0	126.4	145.7	84.0	100.1	116.6	134.0
LCM-175	149.9	182.6	216.8	253.0	129.2	156.1	184.4	214.2	245.3	115.3	138.6	162.9	188.3	215.0	105.5	126.0	147.5	170.0	98.0	116.7	136.0	156.3
LCM-200	171.3	208.7	247.8	289.1	147.6	178.4	210.8	244.8	280.4	131.8	158.4	186.2	215.2	245.7	120.6	144.0	168.5	194.3	112.1	133.4	155.5	178.6
LCM-225	192.7	234.8	278.7	325.2	166.1	200.7	237.1	275.4	315.4	148.3	178.2	209.5	242.0	276.4	135.6	162.0	189.6	218.5	126.1	150.1	174.9	201.0
LCM-250	214.1	260.9	309.7	361.4	184.6	223.0	263.5	306.0	350.5	164.8	198.0	232.8	268.9	307.1	150.7	180.0	210.7	242.8	140.1	166.8	194.3	223.3
LCM-300	256.9	313.1	371.6	433.6	221.5	267.6	316.2	367.2	420.6	197.7	237.7	279.3	322.7	368.5	180.8	216.0	252.8	291.4	168.1	200.1	233.2	268.0
LCM-350	299.8	365.3	433.6	505.9	258.4	312.2	368.9	428.4	490.6	230.7	277.3	325.9	376.5	430.0	211.0	252.0	294.9	340.0	196.1	233.5	272.0	312.6

Wet Bulb Tem. °C	24°C																					
Range°C	4				5					6					7				8			
Approach °C	4	5	6	7	3	4	5	6	7	3	4	5	6	7	4	5	6	7	4	5	6	7
Inlet water tem. °C	32	33	34	35	32	33	34	35	36	33	34	35	36	37	35	36	37	38	36	37	38	39
Outlet water tem. °C	28	29	30	31	27	28	29	30	31	27	28	29	30	31	28	29	30	31	28	29	30	31
LCM-80	75.7	91.8	109.5	127.7	52.2	65.3	78.9	93.1	108.1	46.9	58.3	70.0	82.3	95.2	53.4	63.7	74.6	86.0	49.5	59.0	68.8	79.1
LCM-100	94.6	114.8	136.9	159.6	65.2	81.6	98.6	116.4	135.1	58.7	72.9	87.5	102.9	118.9	66.7	79.7	93.2	107.5	61.9	73.7	86.0	98.8
LCM-125	118.3	143.5	171.1	199.5	81.5	102.0	123.3	145.5	168.9	73.3	91.1	109.4	128.6	148.7	83.4	99.6	116.5	134.3	77.4	92.1	107.5	123.5
LCM-150	141.9	172.2	205.3	239.4	97.8	122.4	147.9	174.6	202.7	88.0	109.4	131.2	154.3	178.4	100.1	119.5	139.8	161.2	92.8	110.6	129.0	148.2
LCM-175	165.6	200.9	239.5	279.3	114.1	142.9	172.6	203.7	236.5	102.7	127.6	153.1	180.0	208.2	116.7	139.4	163.1	188.1	108.3	129.0	150.5	172.9
LCM-200	189.2	229.6	273.7	319.2	130.4	163.3	197.2	232.8	270.3	117.3	145.8	175.0	205.7	237.9	133.4	159.4	186.5	214.9	123.8	147.4	172.0	197.6
LCM-225	212.9	258.3	307.9	359.1	146.7	183.7	221.9	261.9	304.0	132.0	164.0	196.8	231.5	267.6	150.1	179.3	209.8	241.8	139.2	165.8	193.5	222.3
LCM-250	236.5	287.0	342.1	399.0	163.0	204.1	246.6	291.0	337.8	146.7	182.3	218.7	257.2	297.4	166.8	199.2	233.1	268.7	154.7	184.3	215.0	247.0
LCM-300	283.8	344.4	410.6	478.8	195.6	244.9	295.9	349.3	405.4	176.0	218.7	262.5	308.6	356.8	200.1	239.0	279.7	322.4	185.6	221.1	257.9	296.5
LCM-350	331.1	401.8	479.0	558.6	228.2	285.7	345.2	407.5	473.0	205.3	255.2	306.2	360.0	416.3	233.5	278.9	326.3	376.1	216.6	258.0	300.9	345.9

Wet Bulb Tem. °C	26°C																					
Range°C	4				5					6					7				8			
Approach °C	4	5	6	7	3	4	5	6	7	3	4	5	6	7	4	5	6	7	4	5	6	7
Inlet water tem. °C	34	35	36	37	34	35	36	37	38	35	36	37	38	39	37	38	39	40	38	39	40	41
Outlet water tem. °C	30	31	32	33	29	30	31	32	33	29	30	31	32	33	30	31	32	33	30	31	32	33
LCM-80	83.7	101.9	121.0	141.2	57.8	72.2	87.3	103.1	119.7	52.0	64.6	77.5	91.1	105.4	59.1	70.6	82.7	95.2	54.9	65.4	76.3	87.7
LCM-100	104.6	127.3	151.2	176.5	72.2	90.2	109.2	128.9	149.6	65.0	80.7	96.9	113.9	131.8	73.8	88.3	103.3	119.1	68.6	81.7	95.3	109.6
LCM-125	130.7	159.2	189.0	220.6	90.3	112.8	136.5	161.2	187.0	81.2	100.9	121.1	142.4	164.8	92.3	110.4	129.2	148.8	85.8	102.2	119.2	137.0
LCM-150	156.9	191.0	226.8	264.7	108.3	135.4	163.8	193.4	224.4	97.5	121.1	145.4	170.8	197.7	110.7	132.4	155.0	178.6	103.0	122.6	143.0	164.4
LCM-175	183.0	222.8	264.6	308.8	126.4	157.9	191.1	225.6	261.8	113.7	141.2	169.6	199.3	230.7	129.2	154.5	180.8	208.4	120.1	143.0	166.8	191.8
LCM-200	209.2	254.6	302.4	352.9	144.4	180.5	218.4	257.9	299.2	130.0	161.4	193.8	227.8	263.6	147.6	176.6	206.7	238.1	137.3	163.4	190.7	219.2

LCM-225	235.3	286.5	340.2	397.0	162.5	203.0	245.7	290.1	336.6	146.2	181.6	218.0	256.3	296.6	166.1	198.7	232.5	267.9	154.5	183.9	214.5	246.6
LCM-250	261.5	318.3	378.0	441.2	180.5	225.6	273.0	322.3	374.0	162.5	201.8	242.3	284.7	329.5	184.6	220.7	258.3	297.6	171.6	204.3	238.3	274.0
LCM-300	313.8	382.0	453.6	529.4	216.6	270.7	327.6	386.8	448.8	194.9	242.1	290.7	341.7	395.4	221.5	264.9	310.0	357.2	205.9	245.2	286.0	328.8
LCM-350	366.1	445.6	529.2	617.6	252.8	315.8	382.1	451.3	523.6	227.4	282.5	339.2	398.6	461.3	258.4	309.0	361.7	416.7	240.3	286.0	333.6	383.6

Wet Bulb Tem. °C	28°C																					
Range °C	4				5					6					7				8			
Approach °C	4	5	6	7	3	4	5	6	7	3	4	5	6	7	4	5	6	7	4	5	6	7
Inlet water tem. °C	36	37	38	39	36	37	38	39	40	37	38	39	40	41	39	40	41	42	40	41	42	43
Outlet water tem. °C	32	33	34	35	31	32	33	34	35	31	32	33	34	35	32	33	34	35	32	33	34	35
LCM-80	92.7	112.8	134.0	156.3	64.0	80.0	96.7	114.3	132.6	57.7	71.5	86.1	101.1	116.9	65.6	78.3	91.8	105.7	61.0	72.6	84.7	97.4
LCM-100	115.8	141.0	167.5	195.4	80.0	100.0	120.9	142.8	165.8	72.1	89.4	107.6	126.4	146.2	82.0	97.9	114.7	132.1	76.2	90.7	105.9	121.7
LCM-125	144.8	176.2	209.4	244.3	100.0	125.0	151.1	178.5	207.2	90.1	111.8	134.5	158.0	182.7	102.5	122.4	143.4	165.2	95.3	113.4	132.3	152.1
LCM-150	173.8	211.5	251.3	293.1	120.0	150.0	181.3	214.2	248.7	108.2	134.2	161.4	189.6	219.2	123.0	146.9	172.0	198.2	114.3	136.1	158.8	182.6
LCM-175	202.7	246.7	293.1	342.0	140.0	175.0	211.6	249.9	290.1	126.2	156.5	188.3	221.2	255.8	143.5	171.4	200.7	231.3	133.4	158.8	185.3	213.0
LCM-200	231.7	282.0	335.0	390.8	160.0	200.0	241.8	285.6	331.6	144.2	178.9	215.2	252.8	292.3	163.9	195.9	229.4	264.3	152.4	181.5	211.7	243.4
LCM-225	260.6	317.2	376.9	439.7	180.1	225.0	272.0	321.4	373.0	162.2	201.2	242.0	284.4	328.8	184.4	220.4	258.1	297.3	171.5	204.2	238.2	273.8
LCM-250	289.6	352.5	418.8	488.5	200.1	250.0	302.2	357.1	414.5	180.3	223.6	268.9	316.0	365.4	204.9	244.8	286.7	330.4	190.6	226.9	264.7	304.3
LCM-300	347.5	423.0	502.5	586.2	240.1	300.0	362.7	428.5	497.4	216.3	268.3	322.7	379.2	438.5	245.9	293.8	344.1	396.4	228.7	272.2	317.6	365.1
LCM-350	405.5	493.5	586.3	683.9	280.1	350.0	423.1	499.9	580.3	252.4	313.0	376.5	442.4	511.5	286.9	342.8	401.4	462.5	266.8	317.6	370.5	426.0