



Shanghai LiangChi Cooling Equipment Co., Ltd

Chexin Road No.507, Che Dun Town , Songjiang District of shanghai, China

TEL: 021-57609600

FAX: 021-57609588

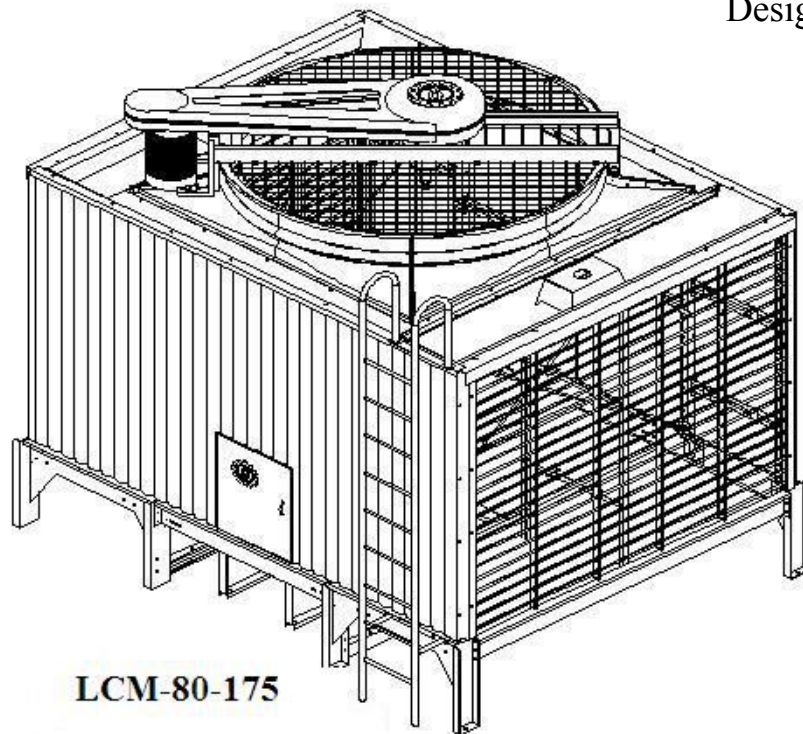
URL: [Http://www.liangchi.com.cn](http://www.liangchi.com.cn)

MAIL: lcjsb@liangchi.com.cn

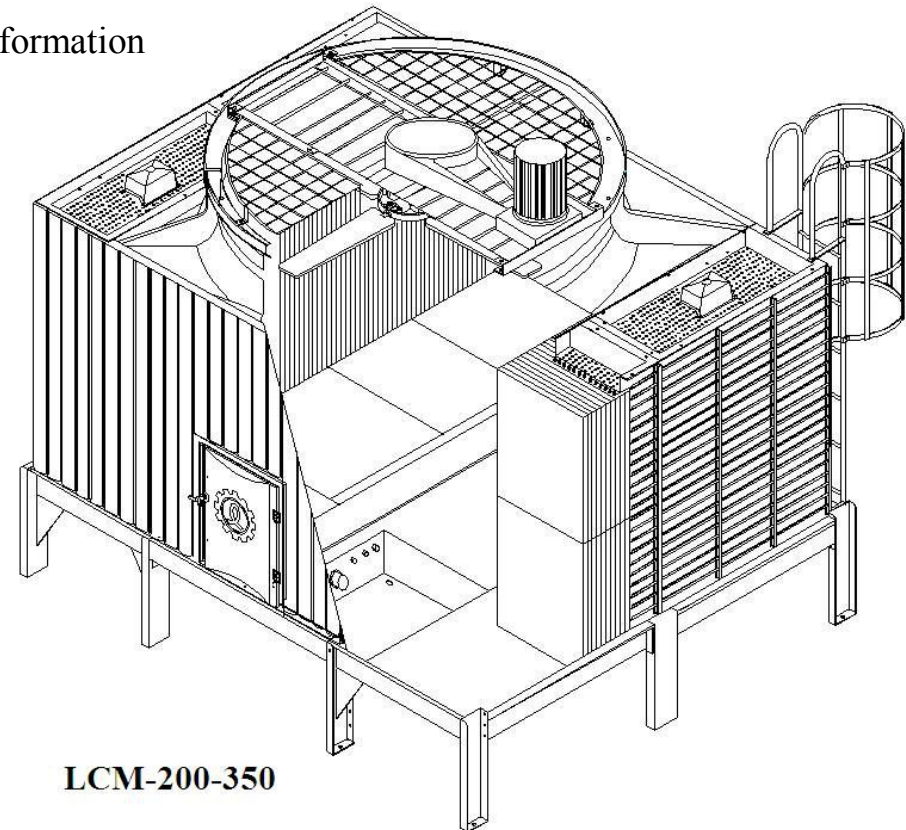


LCM Cross Flow Induced Draft Cooling Tower

Design Information



LCM-80-175



LCM-200-350



I. Outline of models

(open type, Cross-flow, and induced-draft)

Tower Model	Water Flow (m ³ /h)	Dimensions (mm)					Fan Assembly				Cooling capacity (37-32-28 °C) Kcal/h
		Width	Length	Height			Motor			Fan Dia D (mm)	
LCM		W	L	h ₁	h ₂	H	Kw	Hp	Num/Set		
80	80	2835	1870	810	3250	4060	3.7	5	1	1500	400000 Kcal/h
100	100	2835	2070	810	3250	4060	3.7	5	1	1500	500000 Kcal/h
125	125	3135	2475	880	3250	4130	5.5	7.5	1	1800	625000 Kcal/h
150	150	3335	2575	880	3250	4130	5.5	7.5	1	2000	750000 Kcal/h
175	175	3335	2875	880	3250	4130	7.5	10	1	2000	875000 Kcal/h
200	200	4735	2875	3300	1210	4510	7.5	10	1	2400	1000000Kcal/h
225	225	5435	2875	3300	1210	4510	7.5	10	1	2400	1125000 Kcal/h
250	250	5435	2875	3700	1210	4910	7.5	10	1	2400	1250000 Kcal/h
300	300	6035	3385	3700	1365	5060	7.5	10	1	3000	1500000 Kcal/h
350	350	6035	3385	4600	1450	6050	11	15	1	3000	1750000 Kcal/h



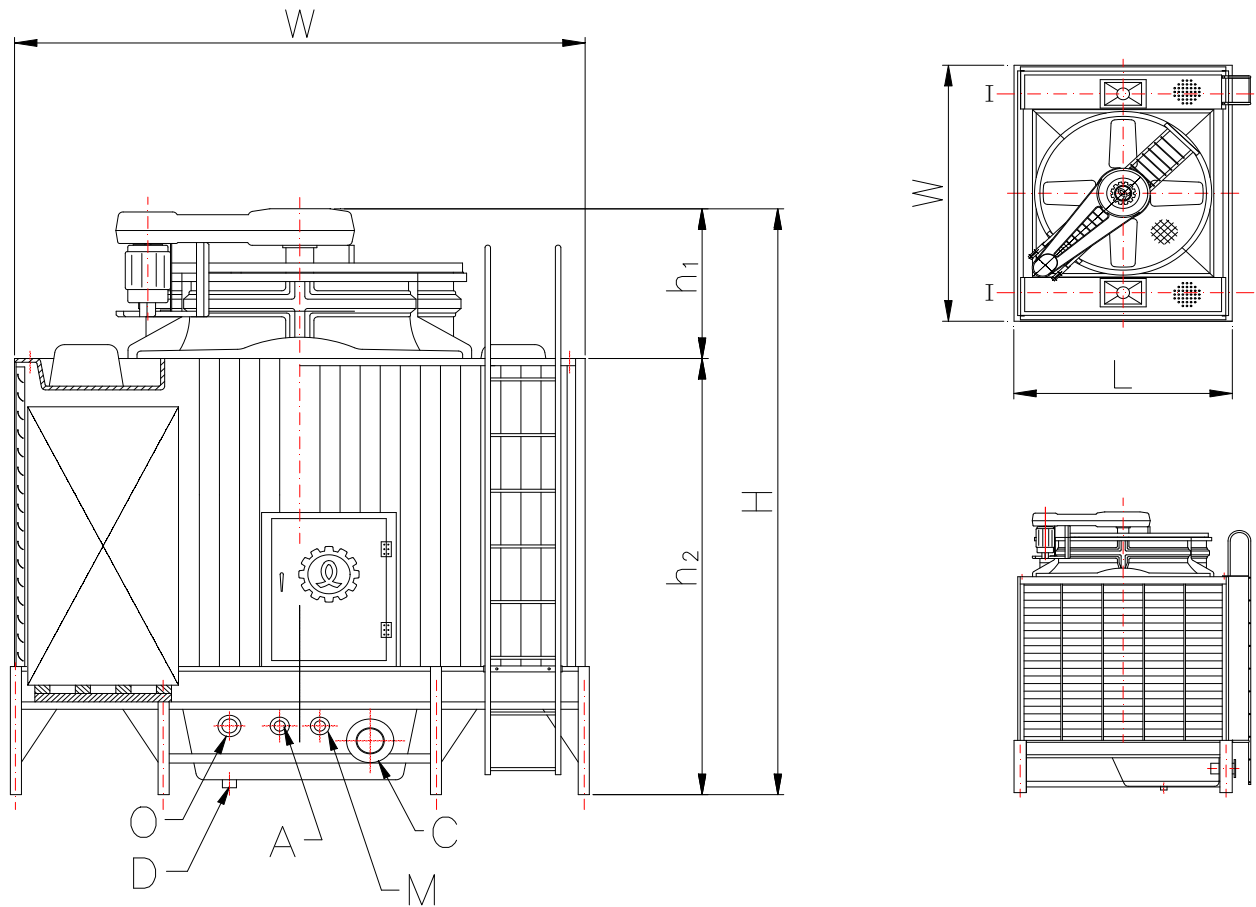
Tower Model	Connecting Pipe Dimension (inch)						Dry Wt. (Kg)	Operating Wt (Kg)	Tower Head (M)
	Inlet	Outlet	Drain	Over flow	Filler				
					Auto(A)	Quick(M)			
LCM	I	C	D	O	Auto(A)	Quick(M)			
80	DN100 x2	DN125 x1	DN50 x1	DN50 x1	DN25 x1	DN25 x1	800	2220	4.1
100	DN100 x2	DN150 x1	DN50 x1	DN50 x1	DN25 x1	DN25 x1	850	2320	4.1
125	DN125 x2	DN200 x1	DN50 x1	DN50 x1	DN32 x1	DN32 x1	1030	2830	4.2
150	DN125 x2	DN200 x1	DN50 x1	DN50 x1	DN32 x1	DN32 x1	1120	3170	4.2
175	DN125 x2	DN200 x1	DN50 x1	DN50 x1	DN32 x1	DN32 x1	1200	3370	4.2
200	DN125 x2	DN200 x1	DN50 x1	DN50 x1	DN32 x1	DN32 x1	1590	3910	4.6
225	DN125 x2	DN200 x1	DN50 x1	DN50 x1	DN32 x1	DN32 x1	1850	4640	4.6
250	DN125 x2	DN200 x1	DN50 x1	DN50 x1	DN32 x1	DN32 x1	1990	5510	5.0
300	DN125 x4	DN200 x1	DN50 x1	DN50 x1	DN32 x1	DN32 x1	2290	6520	5.1
350	DN125 x4	DN250 x1	DN50 x1	DN50 x1	DN32 x1	DN32 x1	2420	6830	6.1

* Significance of the model names:

LCM	-	175
LiangChi, Cooling tower, Mainland		Cooling water flow

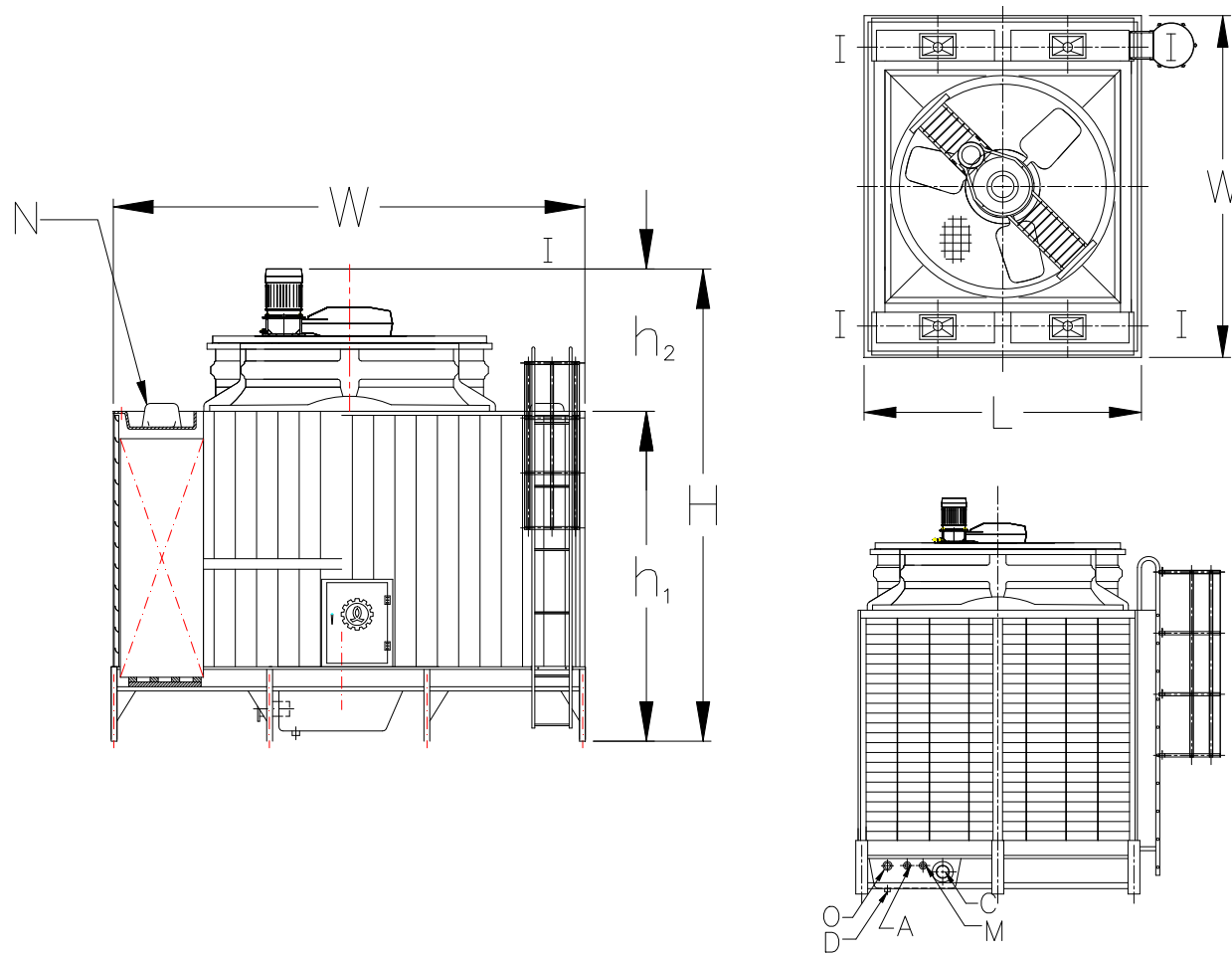
II. Drawings:

(1) Model: LCM-80-175



LCM-80~175

(2)Model: LCM-200-350



LCM-200~350