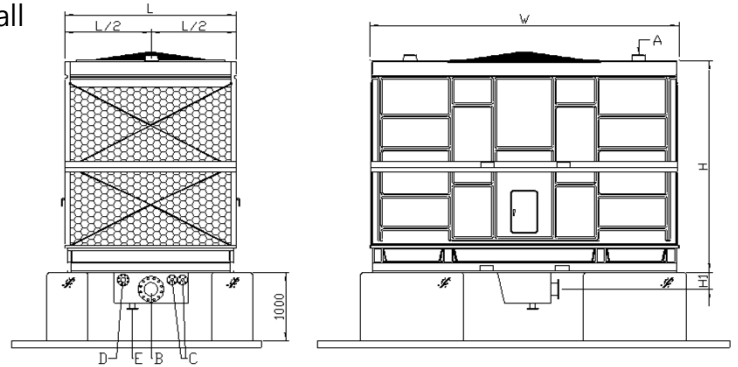


OTTX-L SERIES [Low Noise Open Flow Type]

Engineering Data Information

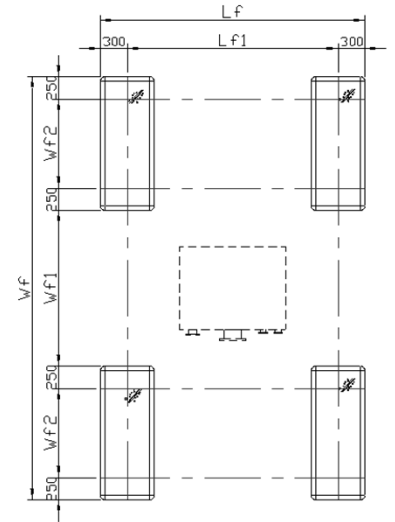
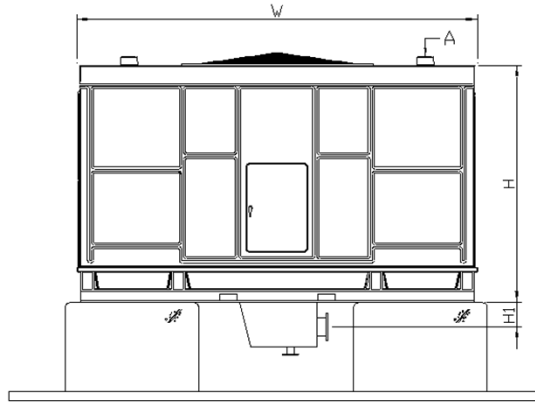
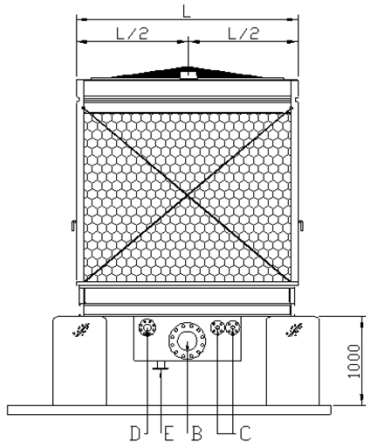
Temperature Condition : 37-32/27°C
 Fan Type : Axial Fan
 Fan Blade Type : Wide Airfoil
 Nozzle Type : Open gravity Fall
 Driver System : V-Belt type
 Motor Type : T.E.A.O
 Material
 Casing / Bain : Z60
 Structure : Z60
 Fan Blade : AL. ALLOY
 Fill/Louver/Eliminator : P.V.C



Single Cell Engineering Data

Model	CRT	Heat Load [Kcal/hr]	WATER FLOW [m ³ /h]	모터 (KW)	FAN DIA. [mm]	AIR VOLUME [CMM]	SHIPPING WEIGHT [kg]	OPERATING WEIGHT [kg]
OTTX-125L	125	487,500	97.5	2.2	1500	756	1,407	2,767
OTTX-150L	150	585,000	117	3.7		907	1,427	2,787
OTTX-175L	175	682,500	136.5	3.7		1,058	1,721	3,401
OTTX-200L	200	780,000	156	5.5	1800	1,210	1,741	3,421
OTTX-225L	225	877,500	175.5	5.5		1,361	1,873	3,963
OTTX-250L	250	975,000	195	7.5	2000	1,512	1,893	3,983
OTTX-275L	275	1,072,500	214.5	7.5		1,663	2,175	4,525
OTTX-300L	300	1,170,000	234	11		1,814	2,195	4,545
OTTX-S350L	350	1,365,000	273	15	2000	2,117	2,225	4,575
OTTX-350L	350	1,365,000	273	11		2,077	2,812	5,812
OTTX-400L	400	1,560,000	312	15	2400	2,419	2,832	5,832
OTTX-450L	450	1,755,000	351	15	2400	2,722	3,305	7,145
OTTX-500L	500	1,950,000	390	18.5		3,024	3,325	7,165
OTTX-600L	600	2,340,000	468	22	2600	3,629	3,942	8,242
OTTX-700L	700	2,730,000	546	30	3000	4,234	4,064	9,344
OTTX-800L	800	3,120,000	624	30	3300	4,838	4,446	9,876
OTTX-900L	900	3,510,000	702	37	3600	5,443	4,841	10,541
OTTX-1100L	1100	4,290,000	858	45	3300	6,653	7,325	15,225
OTTX-1200L	1200	4,680,000	936	56	3300	7,258	7,525	15,525
OTTX-1350L	1350	5,265,000	1053	56	3600	8,165	8,100	17,166
OTTX-1500L	1500	5,850,000	1170	75	3600	9,072	8,572	17,472

A	Hot Water Inlet	D	Over Flow
B	Cold Water Outlet	E	Drain
C	Make Up (Auto & Manual)		



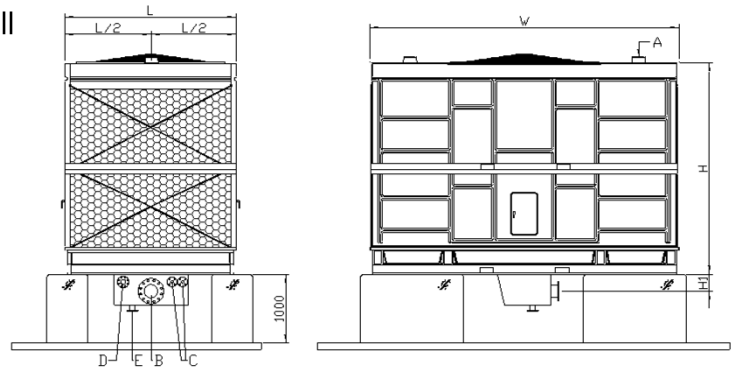
Single Cell Dimension Data

Model	LENGTH L[mm]	WIDTH W[mm]	HEIGHT[mm]		FOUNDATION[mm]					PIPE LINE				
			H	H1	Lf	Lf1	Wf	Wf1	Wf2	A	B	C	D	E
OTTX-125L	1750	3900	2605	200	2220	1620	4120	1120	1000	80(2)	125	20(2)	50	50
OTTX-150L														
OTTX-175L	2050	4100	2605	200	2520	1920	4320	1320	1000	100(2)	150	32(2)	50	50
OTTX-200L														
OTTX-225L	2400	4400	2605	200	2870	2270	4620	1620	1000	125(2)	200	32(2)	50	50
OTTX-250L														
OTTX-275L	2400	4900	2705	250	2870	2270	5120	1720	1200	125(2)	200	32(2)	50	50
OTTX-300L														
OTTX-S350L	2800	5300	2705	250	3270	2670	5520	2120	1200	150(2)	200	50(2)	80	80
OTTX-350L														
OTTX-400L	2800	5300	3005	250	3270	2670	5520	2120	1200	150(2)	250	50(2)	80	80
OTTX-450L														
OTTX-500L	3200	5700	3005	300	3670	3070	5920	2520	1200	200(2)	300	50(2)	80	80
OTTX-600L														
OTTX-700L	3600	6100	3005	300	4070	3470	6320	2920	1200	200(2)	300	50(2)	80	80
OTTX-800L														
OTTX-900L	4200	6900	3005	300	4670	4070	7120	3720	1200	250(2)	350	80(2)	100	100
OTTX-1100L														
OTTX-1200L	3900	6400	6005	350	4370	3770	6620	3220	1200	250(2)	350	80(2)	100	100
OTTX-1350L														
OTTX-1500L	4200	6900	6005	350	4670	4070	7120	3720	1200	300(2)	400	80(2)	100	100
OTTX-1200L														

OTTX-S SERIES [Super Low Noise Open Flow Type]

Engineering Data Information

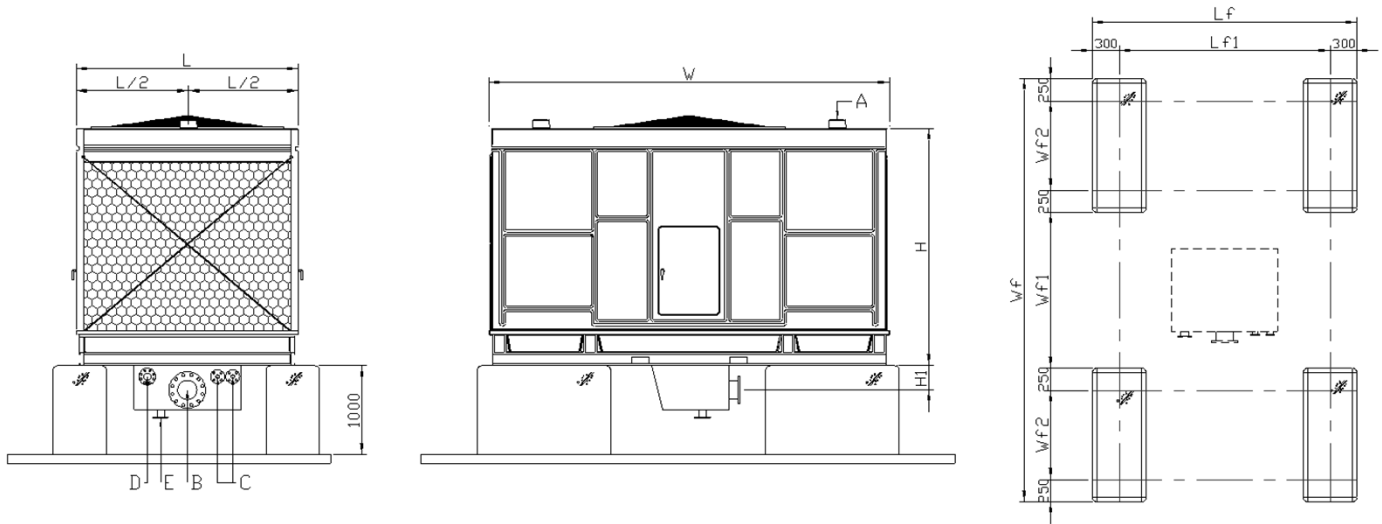
- Temperature Condition : 37-32/27°C
- Fan Type : Axial Fan
- Fan Blade Type : Wide Airfoil
- Nozzle Type : Open gravity Fall
- Driver System : V-Belt type
- Motor Type : T.E.A.O
- Material
 - Casing / Bain : Z60
 - Structure : Z60
 - Fan Blade : AL. ALLOY
 - Fill/Louver/Eliminator : P.V.C



Single Cell Engineering Data

Model	CRT	Heat Load [Kcal/hr]	WATER FLOW [m³/h]	모터 (KW)	FAN DIA. [mm]	AIR VOLUME [CMM]	SHIPPING WEIGHT [kg]	OPERATING WEIGHT [kg]
OTTX-110S	110	429,000	85.8	1.5	1500	532	1,397	2,757
OTTX-125S	125	487,500	97.5	2.2		605	1,417	2,777
OTTX-150S	150	585,000	117	2.2	1800	725	1,711	3,391
OTTX-175S	175	682,500	136.5	3.7		846	1,731	3,411
OTTX-200S	200	780,000	156	3.7	2000	967	1,863	3,953
OTTX-225S	225	877,500	175.5	5.5		1,088	1,883	3,973
OTTX-250S	250	975,000	195	5.5	2000	1,209	2,165	4,515
OTTX-275S	275	1,072,500	214.5	7.5		1,330	2,185	4,535
OTTX-S300S	300	1,170,000	234	11	2400	1,451	2,215	4,565
OTTX-300S	300	1,170,000	234	7.5		1,572	2,802	5,802
OTTX-350S	350	1,365,000	273	11	2400	1,693	2,822	5,822
OTTX-375S	375	1,462,500	292.5	11		1,814	3,295	7,135
OTTX-450S	450	1,755,000	351	15	2400	2,176	3,315	7,155
OTTX-550S	550	2,145,000	429	18.5	2600	2,660	3,932	8,232
OTTX-625S	625	2,437,500	487.5	22	3000	3,023	4,054	9,334
OTTX-700S	700	2,730,000	546	22	3300	3,385	4,436	9,866
OTTX-800S	800	3,120,000	624	30	3600	3,869	4,831	10,531
OTTX-1000S	1000	3,900,000	780	37	3300	4,353	6,887	13,087
OTTX-1100S	1100	4,290,000	858	45	3300	5,320	7,315	15,215
OTTX-1250S	1250	4,875,000	975	45	3600	6,045	8,182	16,818
OTTX-1350S	1350	5,265,000	1053	56	3600	6,771	8,562	17,462

A	Hot Water Inlet	D	Over Flow
B	Cold Water Outlet	E	Drain
C	Make Up (Auto & Manual)		



Single Cell Dimension Data

Model	LENGTH L[mm]	WIDT H W [mm]	HEIGHT[mm]		FOUNDATION[mm]					PIPE LINE				
			H	H1	Lf	Lf1	Wf	Wf1	Wf2	A	B	C	D	E
OTTX-110S	1750	3900	2605	200	2220	1620	4120	1120	1000	100(2)	125	20(2)	50	50
OTTX-125S														
OTTX-150S	2050	4100	2605	200	2520	1920	4320	1320	1000	100(2)	150	32(2)	50	50
OTTX-175S														
OTTX-200S	2400	4400	2605	200	2870	2270	4620	1620	1000	125(2)	200	32(2)	50	50
OTTX-225S														
OTTX-250S	2400	4900	2705	250	2870	2270	5120	1720	1200	150(2)	200	32(2)	50	50
OTTX-275S														
OTTX-S300S														
OTTX-300S	2800	5300	2705	250	3270	2670	5520	2120	1200	150(2)	200	50(2)	80	80
OTTX-350S														
OTTX-375S	2800	5300	3005	250	3270	2670	5520	2120	1200	150(2)	250	50(2)	80	80
OTTX-450S														
OTTX-550S	3200	5700	3005	300	3670	3070	5920	2520	1200	200(2)	300	50(2)	80	80
OTTX-625S	3600	6100	3005	300	4070	3470	6320	2920	1200	200(2)	300	50(2)	80	80
OTTX-700S	3900	6400	3005	300	4370	3770	6620	3220	1200	200(2)	300	50(2)	80	80
OTTX-800S	4200	6900	3005	300	4670	4070	7120	3720	1200	250(2)	350	80(2)	100	100
OTTX-1000S	3900	6400	6005	350	4370	3770	6620	3220	1200	250(2)	350	80(2)	100	100
OTTX-1100S	3900	6400	6005	350	4370	3770	6620	3220	1200	300(2)	400	80(2)	100	100
OTTX-1250S	4200	6900	6005	350	4670	4070	7120	3720	1200	300(2)	400	80(2)	100	100
OTTX-1350S	4200	6900	6005	350	4670	4070	7120	3720	1200	300(2)	450	80(2)	100	100

위 Engineering 및 Dimension Data는 제품성능 향상과 개선을 위해 예고 없이 변경될 수도 있습니다.