



**AXIMA (China) Energy Technology Co.,Ltd.**

No.66,Zijing Road, Gaochun Economic Developing Zone, Nanjing, Jiangsu Province, China

TEL: +86 25 56836768

FAX: +86 25 56836768

URL: [www.aximaasia.com](http://www.aximaasia.com)

MAIL: [service@aximaasia.com](mailto:service@aximaasia.com)



## **EWX Cross Flow Induced Draft Cooling Tower**

### Design Information





## I. Outline of models

(open type, Cross-flow, and induced-draft)

Tower Model	Water Flow (m <sup>3</sup> /h)	Dimensions(mm)			Fan Assembly				Cooling capacity (37-32-28 °C) Kcal/h
		Width	Length	Height	Motor			Fan Dia D (mm)	
EWX		W	L	H	Kw	Hp	Num/Set		
EWX-680/05-B	88	3200	1700	3150	4	5	1	1500	440000
EWX-680/08-A	150	3900	2500	3200	5.5	7	1	2100	750000
EWX-1260/05-A	177	4200	2800	3300	7.5	10	1	2400	885000
EWX-1800/05-B	265	4600	3500	3450	11	15	1	2800	1325000
EWX-1800/08-A	325	6080	3050	3650	15	20	1	2700	1625000
EWX-2100/05-A	380	6400	3600	3650	22	30	1	3000	1900000
EWX-3100/05-A	473	6800	4200	3650	30	40	1	3600	2365000
EWX-3100/08-B	568	6800	4200	4500	37	50	1	3600	2840000
EWX-4500/05-A	570	6850	3650	5750	22	30	1	3300	2850000
EWX-4500/05-B	670	6850	3650	5750	37	50	1	3300	3350000



EWX-4500/08-A	720	6850	4250	5750	30	40	1	3600	3600000
EWX-4500/08-B	810	6850	4250	5750	45	60	1	3600	4050000

Tower Model	Connecting Pipe Dimension (inch)						Dry Wt. (Kg)	Operating Wt (Kg)
	Inlet	Outlet	Drain	Over flow	Filler			
EWX	I	C	D	O	Auto(A)	Quick(M)		
EWX-680/05-B	DN125×2	DN150×1	DN50×1	DN80×1	DN25×1	DN25×1	1150	1950
EWX-680/08-A	DN125×2	DN150×1	DN50×1	DN80×1	DN25×1	DN25×1	1650	2900
EWX-1260/05-A	DN150×2	DN200×1	DN50×1	DN80×1	DN25×1	DN25×1	1850	3400
EWX-1800/05-B	DN150×2	DN200×1	DN50×1	DN80×1	DN25×1	DN25×1	2980	5150
EWX-1800/08-A	DN150×2	DN200×1	DN50×1	DN80×1	DN25×1	DN25×1	3150	5200
EWX-2100/05-A	DN200×2	DN250×1	DN80×1	DN80×1	DN50×1	DN50×1	3950	7450
EWX-3100/05-A	DN200×2	DN250×1	DN80×1	DN80×1	DN50×1	DN50×1	4960	9380
EWX-3100/08-B	DN200×2	DN300×1	DN80×1	DN80×1	DN50×1	DN50×1	5750	10650
EWX-4500/05-A	DN250×2	DN300×1	DN100×1	DN100×1	DN50×1	DN50×1	5800	13500
EWX-4500/05-B	DN250×2	DN300×1	DN100×1	DN100×1	DN50×1	DN50×1	5900	13600

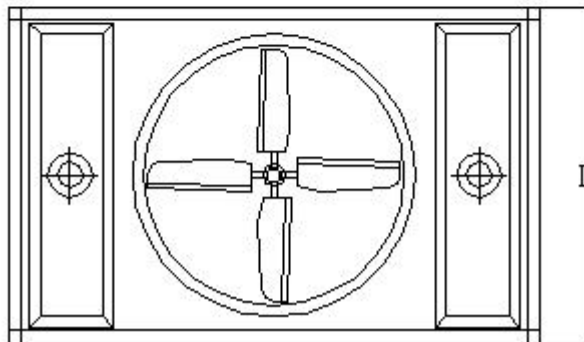
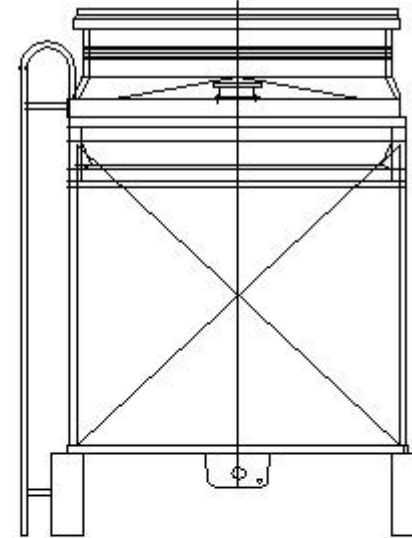
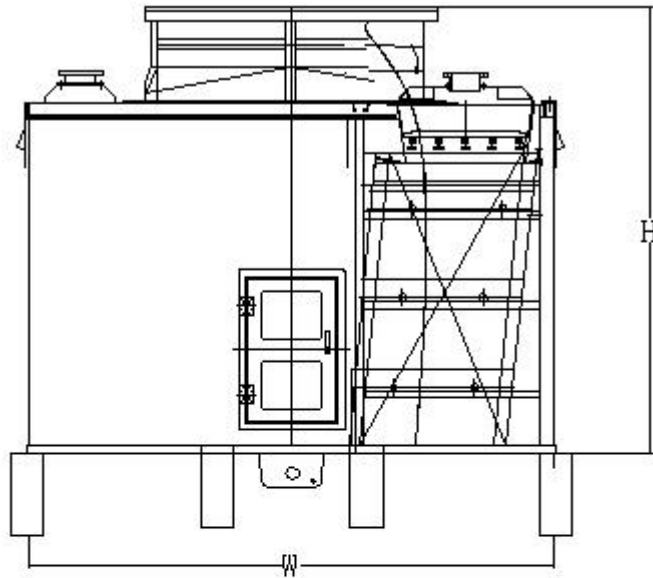


EWX-4500/08-A	DN250×2	DN300×1	DN100×1	DN100×1	DN65×1	DN65×1	6520	15600
EWX-4500/08-B	DN250×2	DN300×1	DN100×1	DN100×1	DN65×1	DN65×1	6560	15650

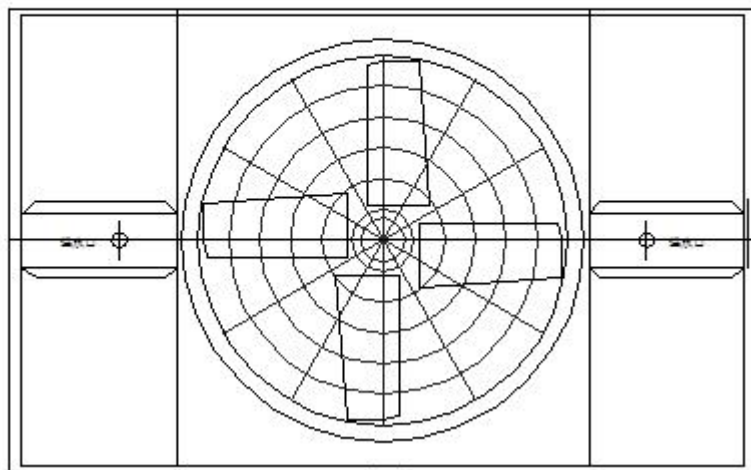
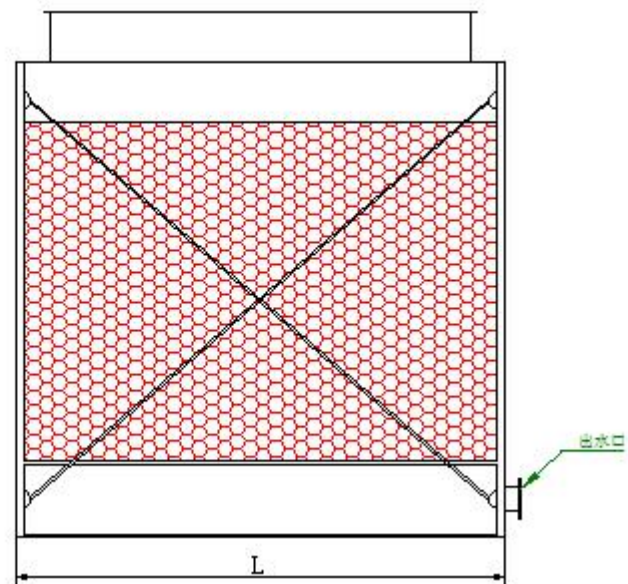
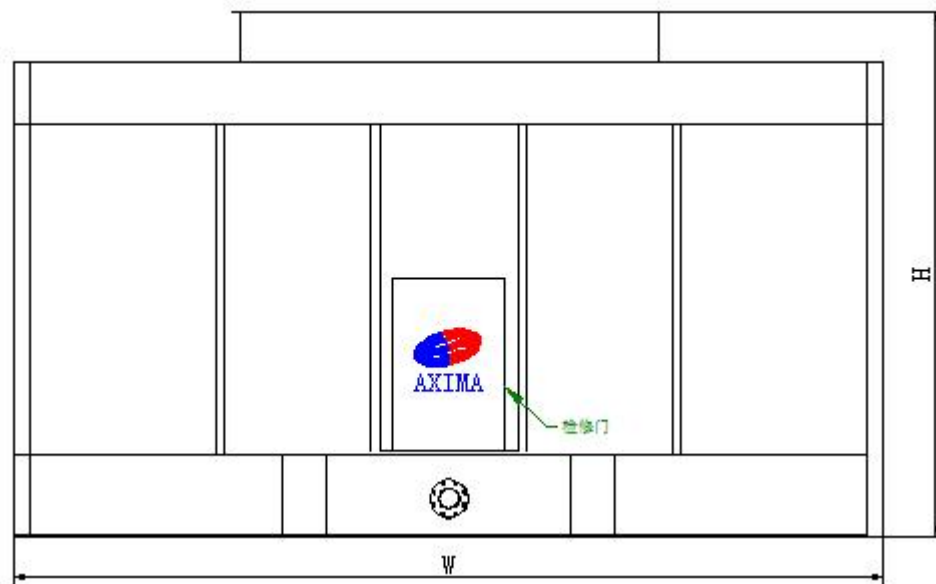
\* Significance of the model names:

EWX	-	1800/08-A
AXIMA, Cross flow, Open Cooling tower		Model Code

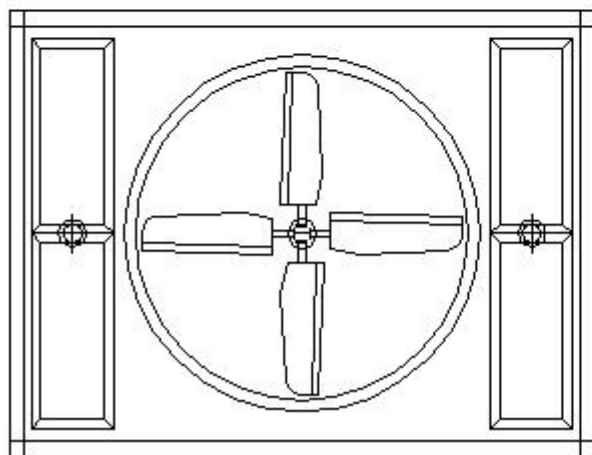
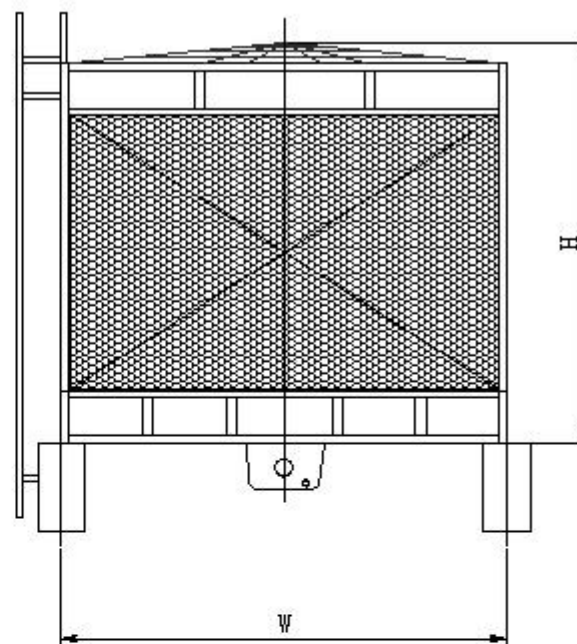
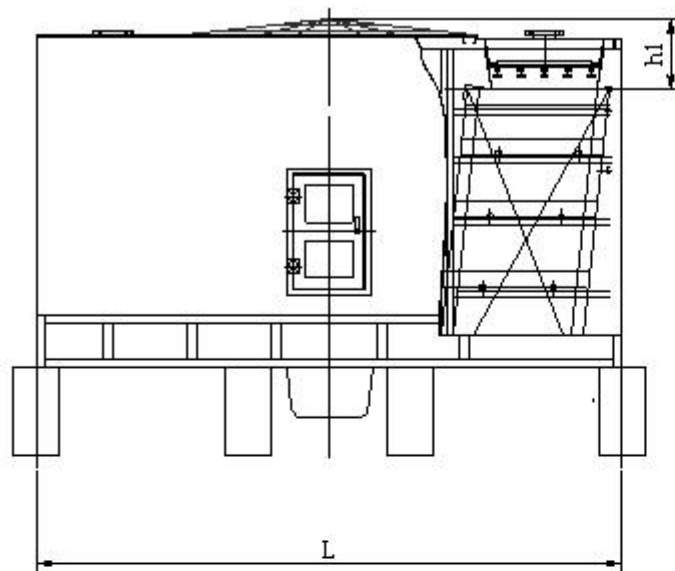
II. Drawings:



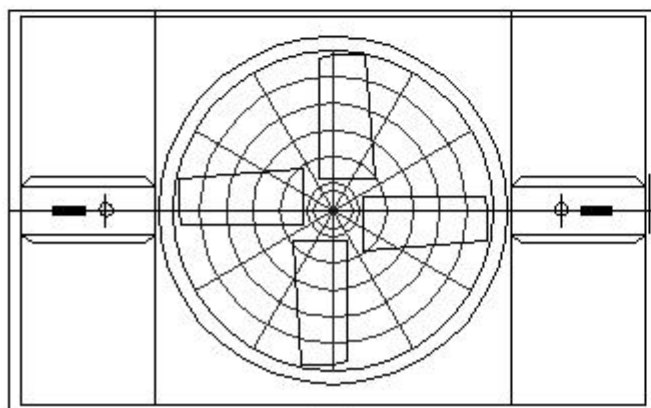
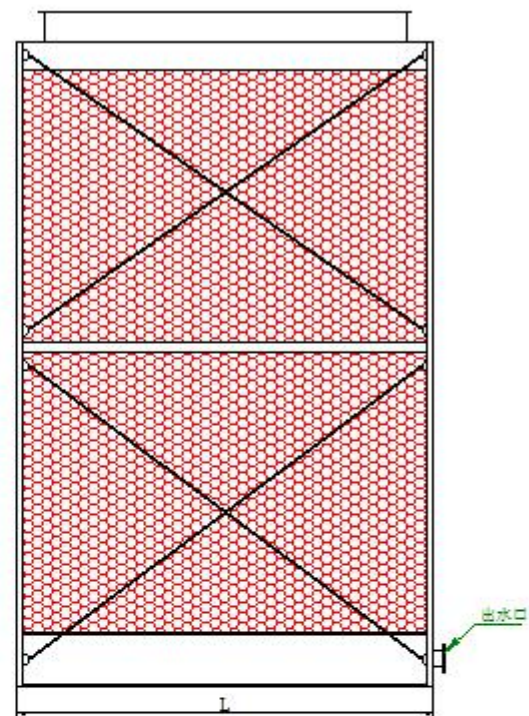
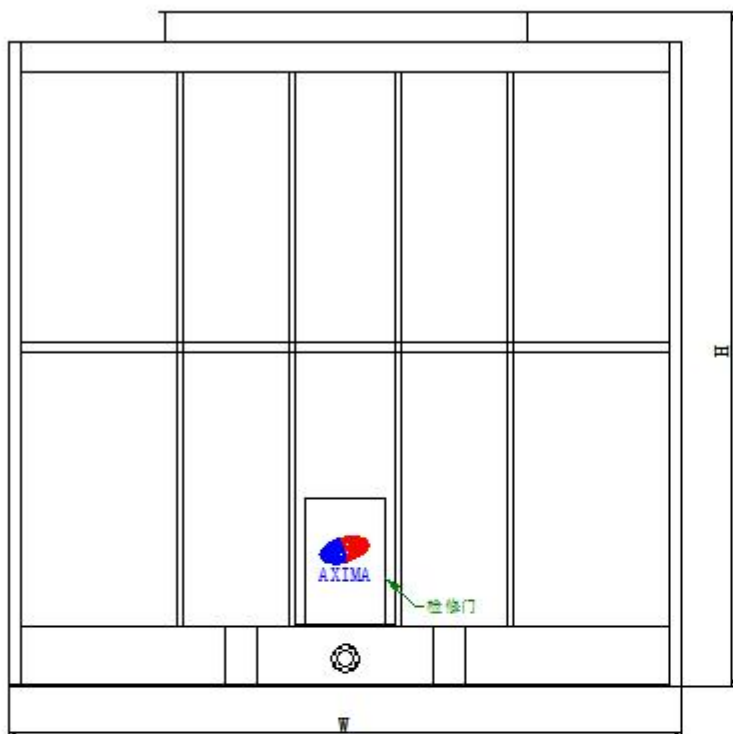
MODEL	L(mm)	W (mm)	H (mm)
EWX-680/05-B	1700	3200	3150
EWX-680/08-A	2500	3900	3200
EWX-1280/05-A	2800	4200	3300
EWX-1800/05-B	3500	4800	3450



MODEL	L(mm)	W (mm)	H (mm)
EWX-1800/08-A	3050	6080	3650



MODEL	L (mm)	W (mm)	h1 (mm)	H (mm)
EWX-2100/05-A	6400	3600	435	3650
EWX-3100/05-A	6800	4200	435	3650
EWX-3100/08-B	6800	4200	435	4500



MODEL	L(mm)	W (mm)	H (mm)
EWX-4500/05-A	3650	6850	5750
EWX-4500/05-B	3650	6850	5750
EWX-4500/08-A	4250	6850	5750
EWX-4500/08-B	4250	6850	5750